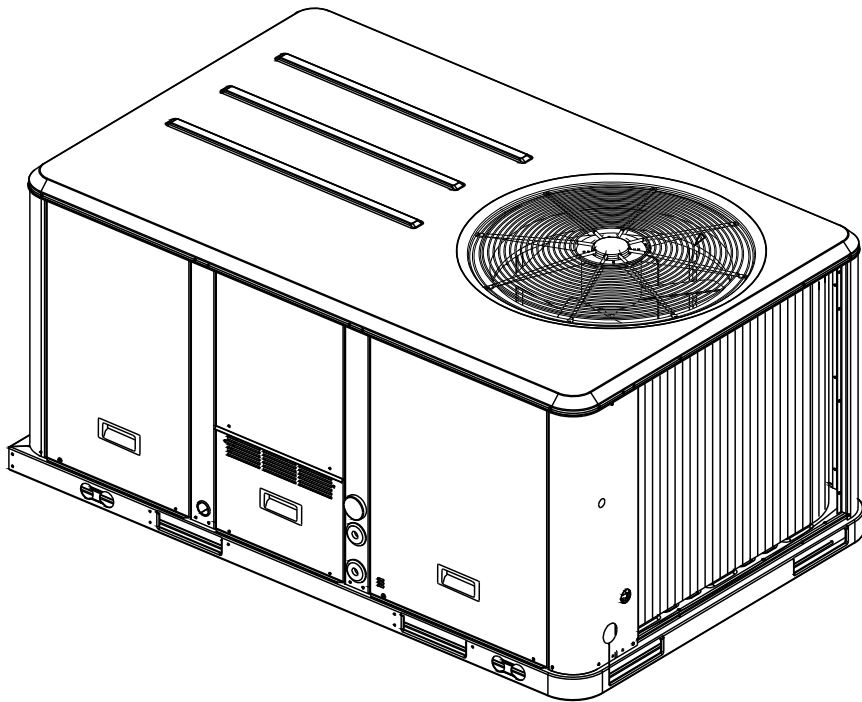


Installation, Operation, and Maintenance
Packaged Rooftop Air Conditioners
Precedent™ — Gas/Electric
5 to 10 Tons—50 Hz



⚠ SAFETY WARNING

Only qualified personnel should install and service the equipment. The installation, starting up, and servicing of heating, ventilating, and air-conditioning equipment can be hazardous and requires specific knowledge and training. Improperly installed, adjusted or altered equipment by an unqualified person could result in death or serious injury. When working on the equipment, observe all precautions in the literature and on the tags, stickers, and labels that are attached to the equipment.

Introduction

Read this manual thoroughly before operating or servicing this unit.

Warnings, Cautions, and Notices

Safety advisories appear throughout this manual as required. Your personal safety and the proper operation of this machine depend upon the strict observance of these precautions.

The three types of advisories are defined as follows:

⚠ WARNING Indicates a potentially hazardous situation which, if not avoided, could result in death or serious injury.

⚠ CAUTION Indicates a potentially hazardous situation which, if not avoided, could result in minor or moderate injury. It could also be used to alert against unsafe practices.

NOTICE Indicates a situation that could result in equipment or property-damage only accidents.

Important Environmental Concerns

Scientific research has shown that certain man-made chemicals can affect the earth's naturally occurring stratospheric ozone layer when released to the atmosphere. In particular, several of the identified chemicals that may affect the ozone layer are refrigerants that contain Chlorine, Fluorine and Carbon (CFCs) and those containing Hydrogen, Chlorine, Fluorine and Carbon (HCFCs). Not all refrigerants containing these compounds have the same potential impact to the environment. Trane advocates the responsible handling of all refrigerants-including industry replacements for CFCs such as HCFCs and HFCs.

Important Responsible Refrigerant Practices

Trane believes that responsible refrigerant practices are important to the environment, our customers, and the air conditioning industry. All technicians who handle refrigerants must be certified. The Federal Clean Air Act (Section 608) sets forth the requirements for handling, reclaiming, recovering and recycling of certain refrigerants and the equipment that is used in these service procedures. In addition, some states or municipalities may have additional requirements that must also be adhered to for responsible management of refrigerants. Know the applicable laws and follow them.

⚠ WARNING

Proper Field Wiring and Grounding Required!

Failure to follow code could result in death or serious injury. All field wiring **MUST** be performed by qualified personnel. Improperly installed and grounded field wiring poses **FIRE** and **ELECTROCUTION** hazards. To avoid these hazards, you **MUST** follow requirements for field wiring installation and grounding as described in **NEC** and your local/state electrical codes.

⚠ WARNING

Personal Protective Equipment (PPE) Required!

Failure to wear proper PPE for the job being undertaken could result in death or serious injury. Technicians, in order to protect themselves from potential electrical, mechanical, and chemical hazards, **MUST** follow precautions in this manual and on the tags, stickers, and labels, as well as the instructions below:

- Before installing/servicing this unit, technicians **MUST** put on all PPE required for the work being undertaken (Examples; cut resistant gloves/sleeves, butyl gloves, safety glasses, hard hat/bump cap, fall protection, electrical PPE and arc flash clothing). **ALWAYS** refer to appropriate Safety Data Sheets (SDS) and OSHA guidelines for proper PPE.
- When working with or around hazardous chemicals, **ALWAYS** refer to the appropriate SDS and OSHA/GHS (Global Harmonized System of Classification and Labeling of Chemicals) guidelines for information on allowable personal exposure levels, proper respiratory protection and handling instructions.
- If there is a risk of energized electrical contact, arc, or flash, technicians **MUST** put on all PPE in accordance with OSHA, NFPA 70E, or other country-specific requirements for arc flash protection, **PRIOR** to servicing the unit. **NEVER PERFORM ANY SWITCHING, DISCONNECTING, OR VOLTAGE TESTING WITHOUT PROPER ELECTRICAL PPE AND ARC FLASH CLOTHING. ENSURE ELECTRICAL METERS AND EQUIPMENT ARE PROPERLY RATED FOR INTENDED VOLTAGE.**

Copyright

This document and the information in it are the property of Trane, and may not be used or reproduced in whole or in part without written permission. Trane reserves the right to revise this publication at any time, and to make changes to its content without obligation to notify any person of such revision or change.

Trademarks

All trademarks referenced in this document are the trademarks of their respective owners.

Revision History

RT-SVX38C-EN (15 March 2015)

- General data 6 to 10 ton updates

Table of Contents

Table of Contents

Introduction	2	Annual Maintenance	36
Warnings, Cautions, and Notices	2	Final Process	37
Copyright	3	Troubleshooting	38
Table of Contents	4	ReliaTel™ Control	38
Model Number Description	5	System Status Checkout Procedure	38
General Information	6	Zone Temperature Sensor (ZTS) Service Indicator	40
Unit Dimensions	10	Clogged Filter Switch	40
Installation	16	Fan Failure Switch	40
Pre-Installation	16	Condensate Overflow Switch	40
Procedure	16	Zone Temperature Sensor (ZTS) Test	40
Foundation	17	Unit Economizer Control (ECA) Troubleshooting	41
Ductwork	17	Resetting Cooling and Ignition Lockouts	42
Roof Curb	18	Unit Wiring Diagrams Numbers	43
General Unit Requirements	19	Limited Warranty	44
Horizontal Discharge Conversion (5 Ton Units) 20		Combination Gas Electric Air Conditioner	44
Horizontal Discharge Conversion (6 to 10 Ton Units)	21	Combination Gas Electric Air Conditioner	44
Requirements for Gas Heat	22		
Condensate Drain Configuration	22		
Filter Installation	23		
Field-Installed Power Wiring	23		
Main Unit Power	23		
Space Temperature Averaging (ReliaTel™ Only)	25		
Pre-Start	29		
Voltage Imbalance	29		
Electrical Phasing (Three-Phase Motors)	29		
Test Modes	31		
Unit Start-Up	32		
Verifying Proper Air Flow	32		
Economizer Start-Up	32		
Compressor Start-Up	33		
Final System Setup	33		
Maintenance	34		
Fan Belt Adjustment—Belt Drive Units	34		
Monthly Maintenance	34		

Model Number Description

Y	S	C	0	6	0	E	3	R	L	A	*	*
1	2	3	4	5	6	7	8	9	10	11	12	13
Digit 1—Unit Type			Digit 16—Hinged Service Access/Filters					7 Clogged filter switch, fan failure switch and discharge air sensing tube				
T DX cooling			0 Standard panels/standard filters					A Condensate drain pan overflow switch				
Y DX cooling, gas heat			A Hinged access panels/standard filters					B Clogged filter switch and condensate drain pan overflow switch				
W Packaged heat pump			B Standard panels/2" MERV 8 filters					C Fan failure switch and condensate drain pan overflow switch				
Digit 2—Efficiency			C Hinged access panels/2" MERV 8 filters					D Discharge air sensing and condensate drain pan overflow switch				
S Standard Efficiency			D Standard panels/2" MERV 13 filters					E Clogged filter switch, fan failure switch and condensate drain pan overflow switch				
Digit 3—Airflow			E Hinged access panels/2" MERV 13 filters					F Clogged filter switch, discharge air sensing tube and condensate drain pan overflow switch				
C Convertible			Digit 17—Condenser Coil Protection					G Fan failure switch, discharge air sensing tube and condensate drain pan overflow switch				
Digit 4,5,6—Nominal Gross Cooling Capacity (MBh)			0 Standard coil					H Clogged filter switch, fan failure switch, discharge air sensing and condensate drain pan overflow switch				
060 5 ton (17.6 kW)			1 Standard coil with hail guard					Digit 26—System Monitoring Controls				
072 6 ton (21.1 kW)			2 Black epoxy pre-coated condenser coil					0 No monitoring controls				
090 7½ ton (26.4 kW)			3 Black epoxy pre-coated condenser coil with hail guard					A Demand control ventilation (CO ₂) ¹⁰				
102 8½ ton (29.9 kW)			4 CompleteCoat™ condenser coil ⁹					Digit 27—Unit Hardware Enhancements				
120 10 ton (35.1 kW)			5 CompleteCoat™ condenser coil with hail guard ⁹					0 No enhancements				
Digit 7—Major Design Sequence			Digit 18—Through the Base Provisions					1 Stainless steel drain pan				
E R-410A refrigerant			0 No through-the-base provisions					Model Number Notes				
Digit 8—Voltage Selection			Digit 19—Disconnect/Circuit Breaker (three-phase only)					1. Manual outside air damper will ship factory supplied within the unit, but must be field installed.				
D 380-415/50/3			0 No disconnect/no circuit breaker					2. High pressure control crankcase heaters are standard on all units.				
Digit 9—Unit Controls			Digit 20—Convenience Outlet					3. Belt drive is standard on all units.				
R ReliaTel™ microprocessor			0 No convenience outlet					4. Economizer with barometric relief is for downflow configured units only. Order economizer without barometric relief for horizontal configuration. Barometric relief for horizontal configured units must be ordered as field-installed accessory.				
K European			Digit 21—Communications Options					5. Standard metering devices are TXVs.				
Digit 10—Heating Capacity			Digit 22—Refrigeration System Option					6. Frostat is available as factory-installed option only.				
0 No electric heat ⁷			0 Standard refrigeration system ⁵					7. Electric heaters are available only for field-installed options.				
L Low heat ⁸			Digit 23—Refrigeration Controls					8. Available only for gas heat models.				
H High heat ⁸			Note: Applicable to digit 7 = E					9. Not available on heat pumps.				
Digit 11—Minor Design Sequence			0 No refrigeration control ²					10. Demand control ventilation option includes wiring only. The CO ₂ sensor is a field-installed only option.				
A First sequence			1 Frostat™ ⁶									
Digit 12,13—Service Sequence			Digit 24—Smoke Detector									
** Factory assigned			0 No smoke detector									
Digit 14—Fresh Air Selection			Digit 25—System Monitoring Controls									
0 No Fresh air			0 No monitoring control									
A Manual outside air damper 0–50% ¹			1 Clogged filter switch									
B Motorized Outside air damper 0–50%			2 Fan failure switch									
C Economizer, dry bulb 0–100% without barometric relief ⁴			3 Discharge air sensing tube									
D Economizer, dry bulb 0–100% with barometric relief ⁴			4 Clogged filter switch and fan failure switch									
E Economizer, reference enthalpy 0–100% without barometric relief ^{3,4}			5 Clogged filter switch and discharge air sensing tube									
F Economizer, reference enthalpy 0–100% with barometric relief ^{3,4}			6 Fan failure switch and discharge air sensing tube									
G Economizer, comparative enthalpy 0–100% without barometric relief ^{3,4}												
H Economizer, comparative enthalpy 0–100% with barometric relief ^{3,4}												
Digit 15—Supply Fan/Drive Type/Motor												
0 Standard drive ³												
1 Oversized motor												

General Information

Unit Inspection

As soon as the unit arrives at the job site

- Verify that the nameplate data matches the data on the sales order and bill of lading (including electrical data).
- Verify that the power supply complies with the unit nameplate specifications.
- Visually inspect the exterior of the unit, including the roof, for signs of shipping damage.

If the job site inspection of the unit reveals damage or material shortages, file a claim with the carrier immediately. Specify the type and extent of the damage on the “bill of lading” before signing.

- Visually inspect the internal components for shipping damage as soon as possible after delivery and before it is stored. Do not walk on the sheet metal base pans.
- If concealed damage is discovered, notify the carrier’s terminal of damage immediately by phone and by mail. Concealed damage must be reported within 15 days.
- Request an immediate joint inspection of the damage by the carrier and the consignee. Do not remove damaged material from the receiving location. Take photos of the damage, if possible. The owner must provide reasonable evidence that the damage did not occur after delivery.
- Notify the appropriate sales representative before installing or repairing a damaged unit.

Storage

Take precautions to prevent condensate from forming inside the unit’s electrical compartments and motors in the following situations:

- The unit is stored before it is installed.
- The unit is set on the roof curb, and temporary heat is provided in the building. Isolate all side panel service entrances and base pan openings (e.g., conduit holes, Supply Air and Return Air openings, and flue openings) from the ambient air until the unit is ready for start-up.

Note: Do not use the unit’s heater for temporary heat without first completing the start-up procedure detailed under “Unit Start-Up,” p. 32.

The manufacturer will not assume any responsibility for equipment damage resulting from condensate accumulation on the unit’s electrical and/or mechanical components.

Unit Nameplate

A Mylar unit nameplate is located on the unit’s corner support next to the filter access panel. It includes the unit model number, serial number, electrical characteristics, refrigerant charge, as well as other pertinent unit data.

Compressor Nameplate

The nameplate for the compressors are located on the side of the compressor.

Unit Description

Before shipment, each unit is leak tested, dehydrated, charged with refrigerant and compressor oil, and run tested for proper control operation.

The condenser coils are either aluminum fin, mechanically bonded to copper tubing or all aluminum microchannel.

Direct-drive, vertical discharge condenser fans are provided with built-in thermal overload protection.

There are two control systems offered for these units. The electromechanical control option uses a thermostat to perform unit functions. The ReliaTel™ control module is a microelectronic control system that is referred to as “refrigeration module” (RTRM). The acronym RTRM is used extensively throughout this document when referring to the control system network.

These modules through proportional/integral control algorithms perform specific unit functions that govern unit operation in response to zone temperature, supply air temperature, and/or humidity conditions depending on the application. The stages of capacity control for these units are achieved by starting and stopping the compressors.

The RTRM is mounted in the control panel and is factory wired to the respective internal components. The RTRM receives and interprets information from other unit modules, sensors, remote panels, and customer binary contacts to satisfy the applicable request for cooling.

Economizer Control Actuator (Optional)

ReliaTel™ Control

The ECA monitors the mixed air temperature, return air temperature, minimum position setpoint (local or remote), power exhaust setpoint, CO₂ setpoint, CO₂, and ambient dry bulb/enthalpy sensor or comparative humidity (return air humidity against ambient humidity) sensors, if selected, to control dampers to an accuracy of +/- 5% of stroke. The actuator is spring returned to the closed position any time that power is lost to the unit. It is capable of delivering up to 25 inch pounds of torque and is powered by 24 VAC.

RTCI—ReliaTel™ Trane Communication Interface (Optional)

This module is used when the application calls for an ICSTM building management type control system. It allows the control and monitoring of the system through an ICS panel. The module can be ordered from the factory or ordered as a kit to be field installed. Follow the

installation instruction that ships with each kit when field installation is necessary.

RLCI—ReliaTel™ LonTalk® Communication Interface (Optional)

This module is used when the application calls for an ICSTM building management type control system that is LonTalk. It allows the control and monitoring of the system through an ICS panel. The module can be ordered from the factory or ordered as a kit to be field installed. Follow the installation instruction that ships with each kit when field installation is necessary.

RBCI—ReliaTel™ BACnet™ Communications Interface (Optional)

This module is used when the application calls for an open BACnet protocol. It allows the control and monitoring of the system through an ICS panel. The module can be ordered from the factory or as a kit to be field installed. Follow the installation instructions that ships with each kit when field installation is necessary.

RTOM—ReliaTel™ Options Module (Optional)

The RTOM monitors the supply fan proving, clogged filter, supply air temperature, exhaust fan setpoint, supply air tempering, Froststat™ and smoke detector. Refer to system input devices and functions for operation.

System Input Devices and Functions

The RTRM must have a zone sensor or thermostat input in order to operate the unit. The flexibility of having several mode capabilities depends upon the type of zone sensor or thermostat selected to interface with the RTRM.

The descriptions of the following basic Input Devices used within the RTRM network are to acquaint the operator with their function as they interface with the various modules. Refer to the unit's electrical schematic for the specific module connections.

The following controls are available from the factory for field installation.

Supply Fan Failure Input (Optional)

The Fan Failure Switch can be connected to sense indoor fan operation:

FFS (Fan Failure Switch) — If air flow through the unit is not proven by the differential pressure switch connected to the RTOM (factory setpoint 0.07" w.c.) within 40 seconds nominally, the RTRM will shut off all mechanical operations, lock the system out, send a diagnostic to ICS, and the SERVICE output will flash. The system will remain locked out until a reset is initiated either manually or through ICS.

Clogged Filter Switch (Optional)

The unit-mounted clogged filter switch monitors the pressure differential across the return air filters. It is mounted in the filter section and is connected to the

RTOM. A diagnostic SERVICE signal is sent to the remote panel if the pressure differential across the filters is at least 0.5" w.c. The contacts will automatically open when the pressure differential across the filters decreases to approximately 0.4" w.c. The clogged filter output is energized when the supply fan is operating and the clogged filter switch has been closed for at least 2 minutes. The system will continue to operate regardless of the status of the filter switch.

Note: *On units equipped with factory installed MERV 13 filters, a clogged filter switch with different pressure settings will be installed. This switch will close when the differential pressure is approximately 0.8' w.c. and open when the differential falls to 0.7" w.c.*

Condensate Drain Pan Overflow Switch (Optional)

ReliaTel Option

This input incorporates the Condensate Overflow Switch (COF) mounted on the drain pan and the ReliaTel options module (RTOM). When the condensate level reaches the trip point for 6 continuous seconds, the RTOM will shut down all unit functions until the overflow condition has cleared. The unit will return to normal operation after six continuous seconds with the COF in a non-tripped condition. If the condensate level causes unit shutdown more than two times in a 3-day period, the unit will be locked-out of operation requiring manual reset of diagnostic system through zone sensor or building automation system (BAS). Cycling unit power will also clear the fault.

Compressor Disable (CPR1/2)

This input incorporates the low pressure control (LPC) of each refrigeration circuit and can be activated by opening a field-supplied contact installed on the LTB.

If this circuit is open before the compressor is started, the compressor will not be allowed to operate. Anytime this circuit is opened for 1 continuous second during compressor operation, the compressor for that circuit is immediately turned "Off". The compressor will not be allowed to restart for a minimum of 3 minutes should the contacts close.

If four consecutive open conditions occur during the first three minutes of operation, the compressor for that circuit will be locked out, a diagnostic communicated to the remote panel (if installed), and a manual reset will be required to restart the compressor.

Low Pressure Control

ReliaTel Control

When the LPC is opened for 1 continuous second, the compressor for that circuit is turned off immediately. The compressor will not be allowed to restart for a minimum of 3 minutes.

General Information

If four consecutive open conditions occur during an active call for cooling, the compressor will be locked out, a diagnostic communicated to ICS™, if applicable, and a manual reset required to restart the compressor. On dual compressor units only the affected compressor circuit is locked out.

High Pressure Control

ReliaTel Control

The high pressure controls are wired in series between the compressor outputs on the RTRM and the compressor contactor coils. If the high pressure control switch opens, the RTRM senses a lack of current while calling for cooling and locks the compressor out.

If four consecutive open conditions occur during an active call for cooling, the compressor will be locked out, a diagnostic communicated to ICS, if applicable, and a manual reset required to restart the compressor. On dual compressor units only the affected compressor circuit is locked out.

Lead/Lag Control (Dual Circuit Only)

ReliaTel Control Only

Lead/Lag is a selectable input located on the RTRM. The RTRM is configured from the factory with the Lead/Lag control disabled. To activate the Lead/Lag function, simply cut the wire connected to J3-8 at the RTRM. When it is activated, each time the designated lead compressor is shut off due to the load being satisfied, the lead compressor or refrigeration circuit switches. When the RTRM is powered up, e.g., after a power failure, the control will default to the number one circuit compressor.

Zone Sensor Module (ZSM) (BAYSENS106*)

This electronic sensor features three system switch settings (Heat, Cool, and Off) and two fan settings (On and Auto). It is a manual changeover control with single setpoint. (Cooling Setpoint Only)

Zone Sensor Module (ZSM) (BAYSENS108*)

This electronic sensor features four system switch settings (Heat, Cool, Auto, and Off) and two fan settings (On and Auto). It is a manual or auto changeover control with dual setpoint capability. It can be used with a remote zone temperature sensor BAYSENS077*.

Zone Sensor (BAYSENS110*)

This electronic sensor features four system switch settings (Heat, Cool, Auto, and Off) and two fan settings (On and Auto) with four system status LEDs. It is a manual or auto changeover control with dual setpoint capability. It can be used with a remote zone temperature sensor BAYSENS077*.

Programmable Zone Sensor—(BAYSENS119*)

This 7-day programmable sensor features 2, 3, or 4 periods for Occupied or Unoccupied programming per

day. If the power is interrupted, the program is retained in permanent memory. If power is off for an extended period of time, only the clock and day may have to be reset.

The Zone Sensor allows selection of 2, 3, or 4 system modes (Heat, Cool, Auto, and Off), two fan modes (On and Auto). It has dual temperature selection with programmable start time capability.

The occupied cooling set point ranges between 45°F and 98°F. The heating set point ranges between 43°F and 96°F.

A liquid crystal display (LCD) displays zone temperature, temperature set points, day of the week, time, and operational mode symbols.

The Option Menu is used to enable or disable applicable functions, e.g., morning warm-up, economizer minimum position override during unoccupied status, Fahrenheit or Centigrade, supply air tempering, remote zone temperature sensor, 12/24 hour time display, smart fan, and computed recovery.

During an occupied period, an auxiliary relay rated for 1.25 amps at 30 volts AC with one set of single pole double throw contacts is activated.

Status Inputs (4 Wires Optional)

The ZSM can be wired to receive four operating status signals from the RTRM (HEAT, COOL, SYSTEM ON, SERVICE).

Four wires from the RTRM should be connected to the appropriate terminals (7, 8, 9, and 10) on the ZSM.

Remote Zone Sensor (BAYSENS073*)

This electronic sensor features remote zone sensing and timed override with override cancellation. It is used with a Trane Integrated Comfort™ building management system.

Remote Zone Sensor (BAYSENS074*)

This electronic sensor features single setpoint capability and timed override with override cancellation. It is used with a Trane Integrated Comfort™ building management system.

Remote Zone Sensor (BAYSENS016*)

This bullet type temperature sensor can be used for outside air (ambient) sensing, return air temperature sensing, supply air temperature sensing, remote temperature sensing (uncovered). Wiring procedures vary according to the particular application and equipment involved. Refer to the unit's wiring diagrams for proper connections.

Remote Zone Sensor (BAYSENS077*)

This electronic sensor can be used with BAYSENS106*, 108*, 110*, 119* remote panels. When this sensor is wired to a BAYSENS119* Remote Panel, wiring must be 18 AWG Shielded Twisted Pair (Belden 8760 or equivalent). Refer to the specific remote panel for wiring details.

Wireless Zone Sensor (BAYSENS050)

This electronic sensor features five system settings (Auto, Off, Cool, Heat, and Emergency Heat) as well as On and Auto fan settings. It is a manual or auto changeover control with dual setpoint capability. Other features include a timed override function, lockable system settings, and Fahrenheit or Celsius temperature display. Included with the wireless zone sensor is a receiver that is to be mounted inside the unit, a mounting bracket, and a wire harness.

High Temperature Sensor (BAYFRST001*)

This sensor connects to the RTRM emergency stop input on the LTB and provides high limit "shutdown" of the unit. The sensor is used to detect high temperatures due to a high thermal event in the air conditioning or ventilation ducts. The sensor is designed to mount directly to the sheet metal duct. Each kit contains two sensors. The return air duct sensor (X1310004001) is set to open at 135°F. The supply air duct sensor (X1310004002) is set to open at 240°F. The control can be reset after the temperature has been lowered approximately 25°F below the cutout setpoint.

Evaporator Frost Control

ReliaTel™ Option

This input incorporates the Frostat™ control (FOS) mounted in the indoor coil circuit and can be activated by closing a field-supplied contact installed in parallel with the FOS.

If this circuit is open before the compressor is started, the compressor will not be allowed to operate. Anytime this circuit is opened for 1 continuous second during compressor operation, the compressor for that circuit immediately turns off. The compressor will not be allowed to restart for a minimum of 3 minutes if the FOS closes.

Discharge Line Temp Switch (DLTS)

The DLTS is looped in series with HPC and LPC. It prevents compressor from overheating (over 300F° dome temp) in case of indoor fan failure (cooling) or outdoor fan failure (heating).

Phase Monitor

This sensor monitors voltage between the 3 conductors of the 3-phase power supply. Two LED lights are provided:

- The green light indicates that a balanced 3-phase supply circuit is properly connected.
- The red light indicates that unit operation has been prevented. There are two conditions that will prevent unit operation:
 - The power supply circuit is not balanced with the proper phase sequence of L1, L2, L3, for the 3 conductors of a 3-phase circuit.

- The line to line voltage is not between 180 volts and 633 volts.

Unit Dimensions

Figure 1 illustrates the minimum operating and service clearances for either a single or multiple unit installation. These clearances are the minimum distances necessary to assure adequate serviceability, cataloged unit capacity, and peak operating efficiency.

Providing less than the recommended clearances may result in condenser coil starvation, "short-circuiting" of exhaust and economizer airflows, or recirculation of hot condenser air.

Figure 1. Typical installation clearances for single and multiple unit applications

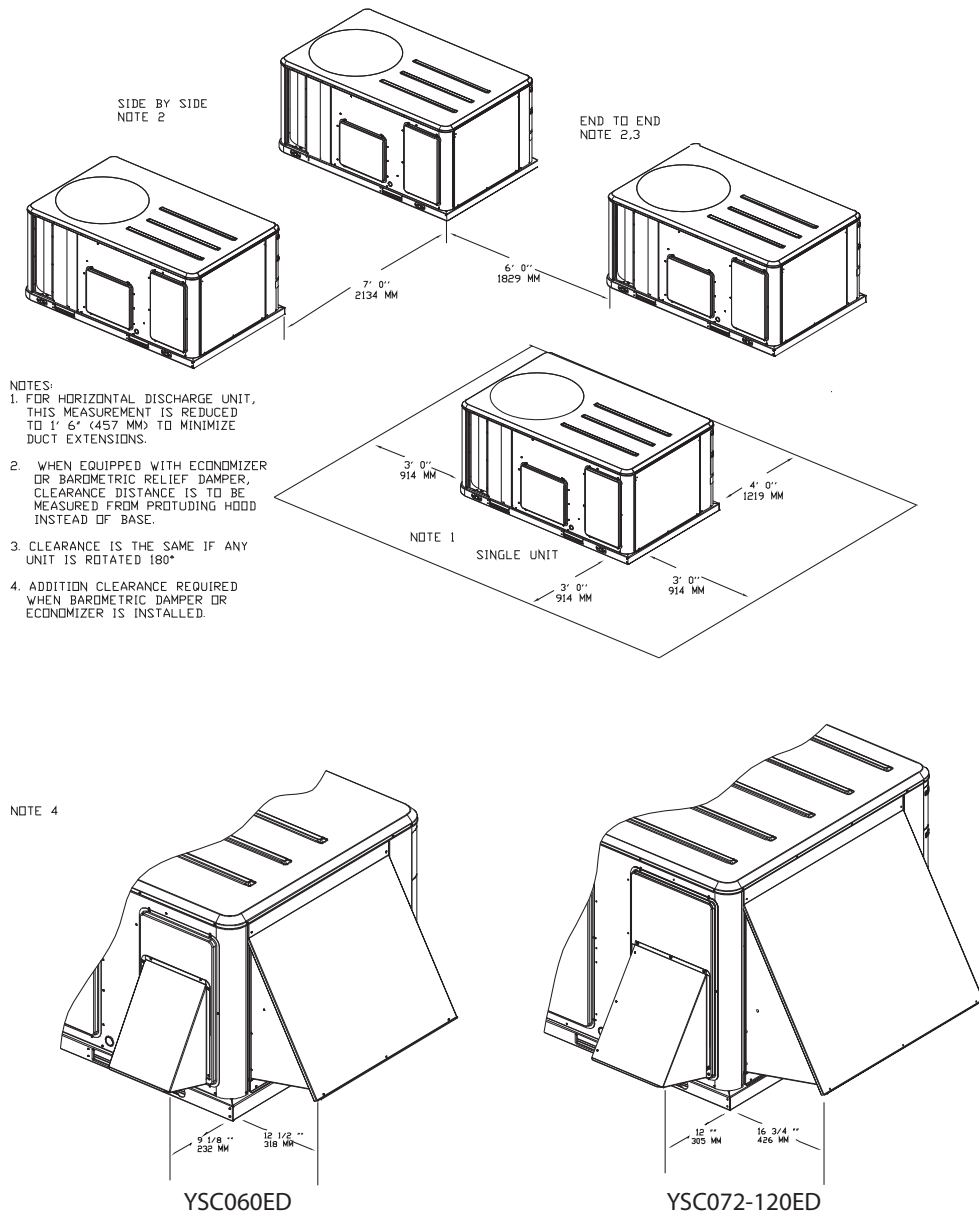


Figure 2. 5 tons standard efficiency

Notes:

1. All dimensions are in inches/millimeters.
2. 1/2 NPT Gas Connection

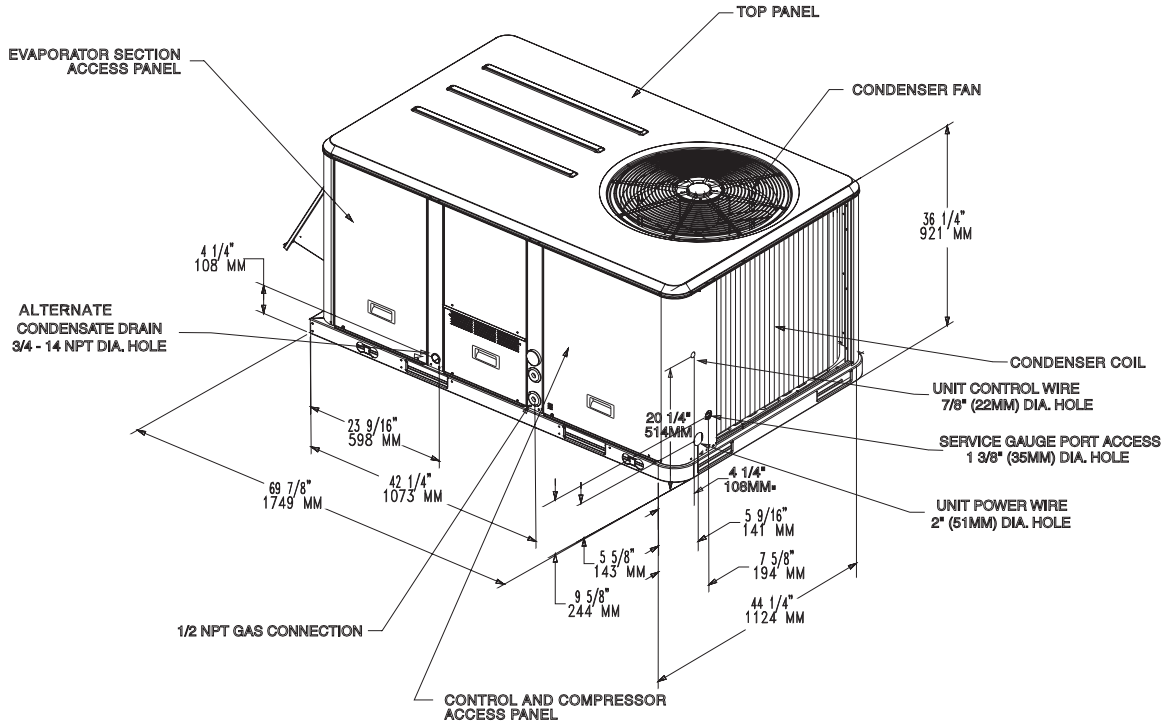
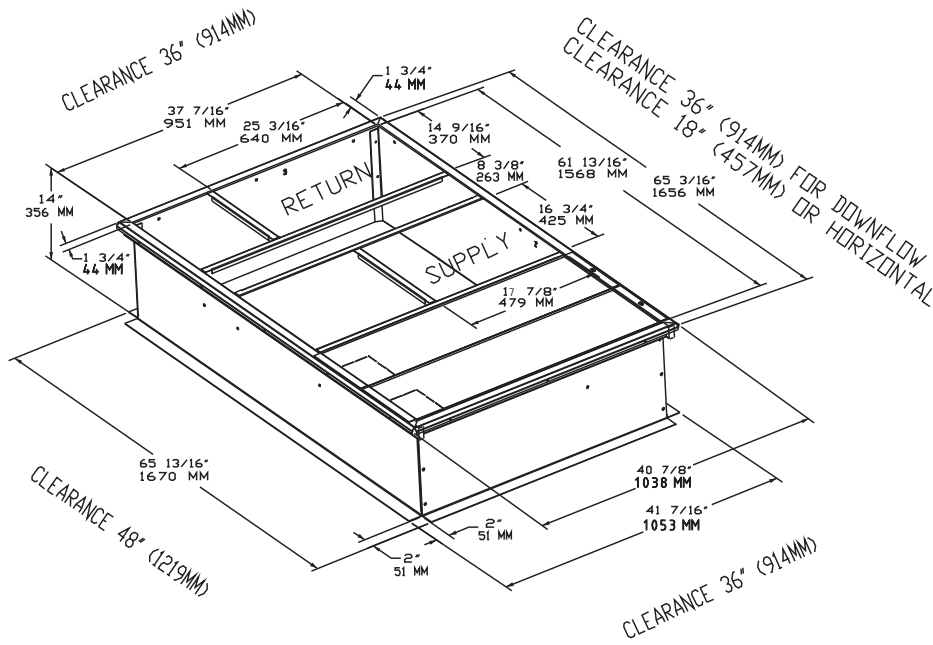


Figure 3. 5 tons standard efficiency—roof curb

Note: All dimensions are in inches/millimeters.



Unit Dimensions

Figure 4. 5 tons standard efficiency—unit clearance and roof opening

Note: All dimensions are in inches/millimeters.

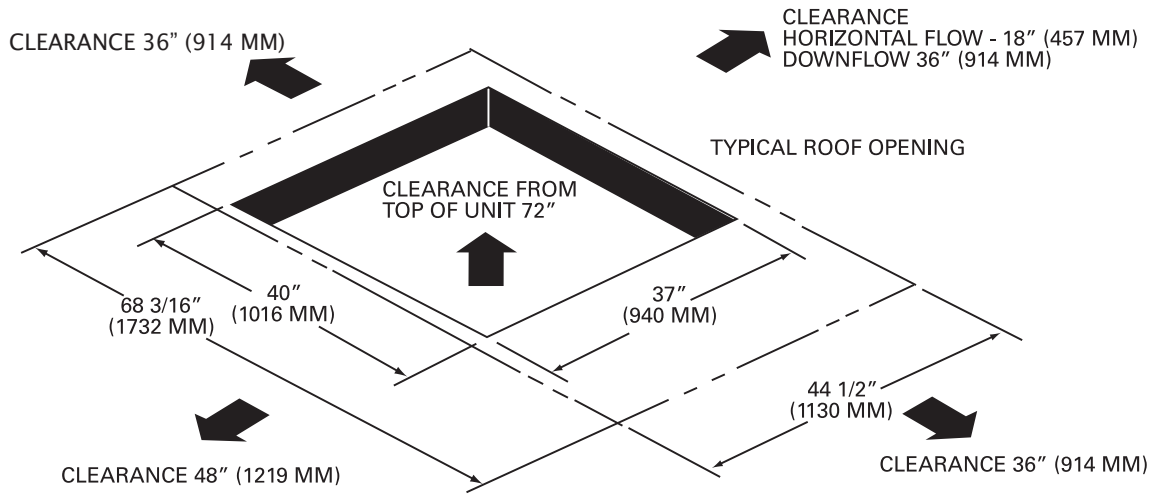


Figure 5. 6, 7½ tons standard efficiency

Note: All dimensions are in inches/millimeters.

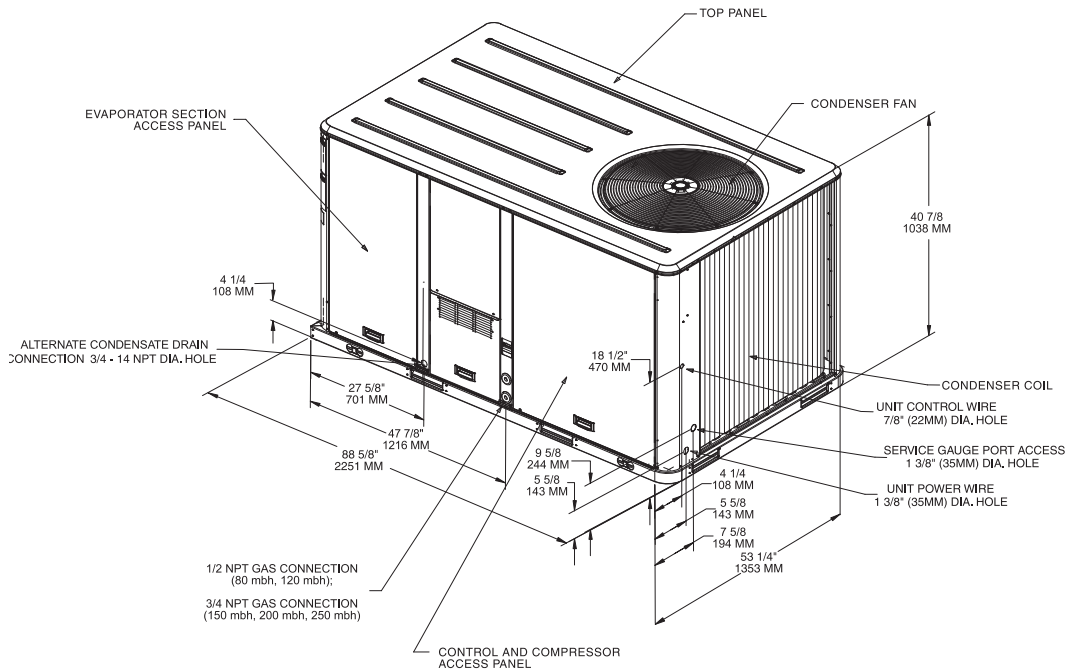


Figure 6. 6, 7½ tons standard efficiency—roof curb

Note: All dimensions are in inches/millimeters.

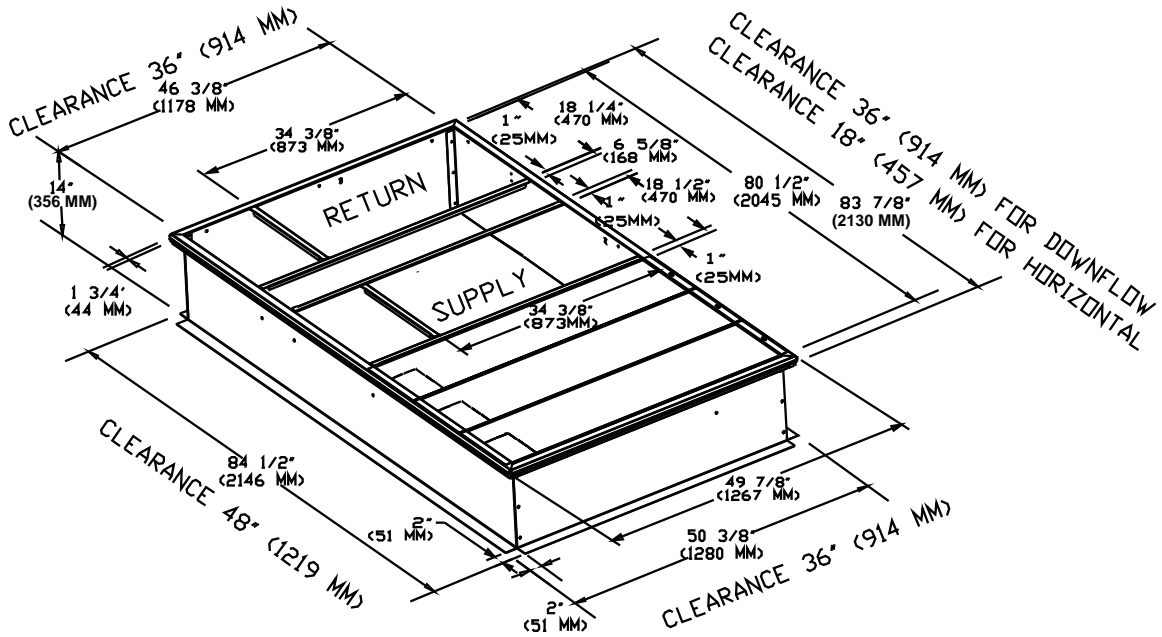
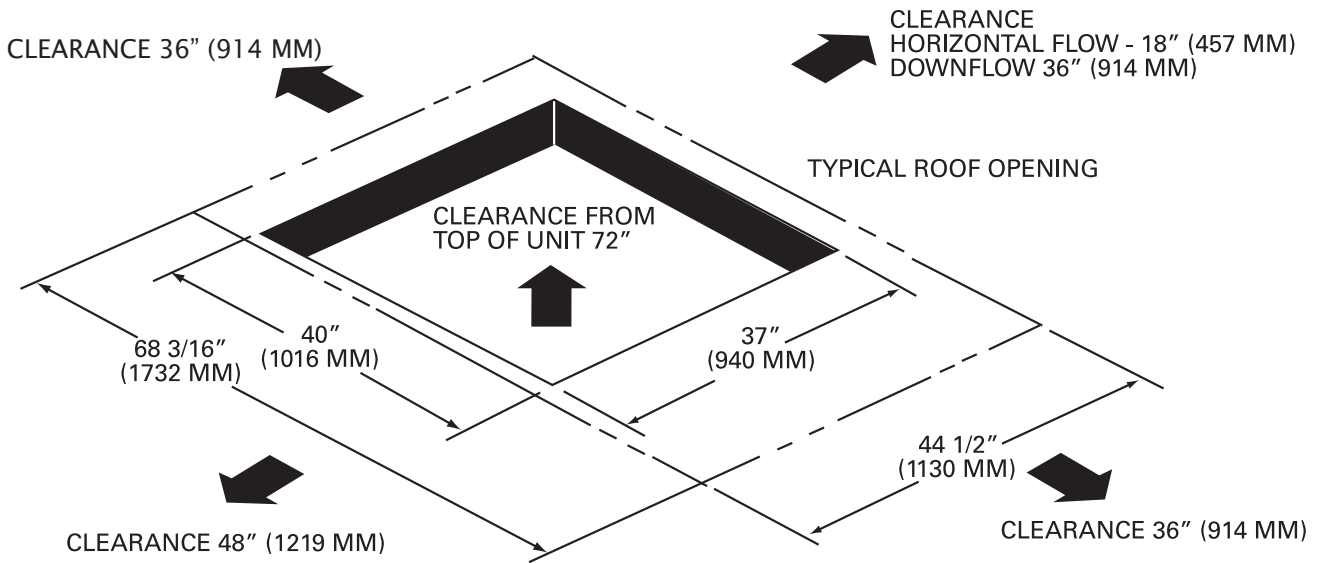


Figure 7. 6, 7½ tons standard efficiency—unit clearance and roof opening

Note: All dimensions are in inches/millimeters.



Unit Dimensions

Figure 8. 8½ to 10 tons standard efficiency

Note: All dimensions are in inches/millimeters.

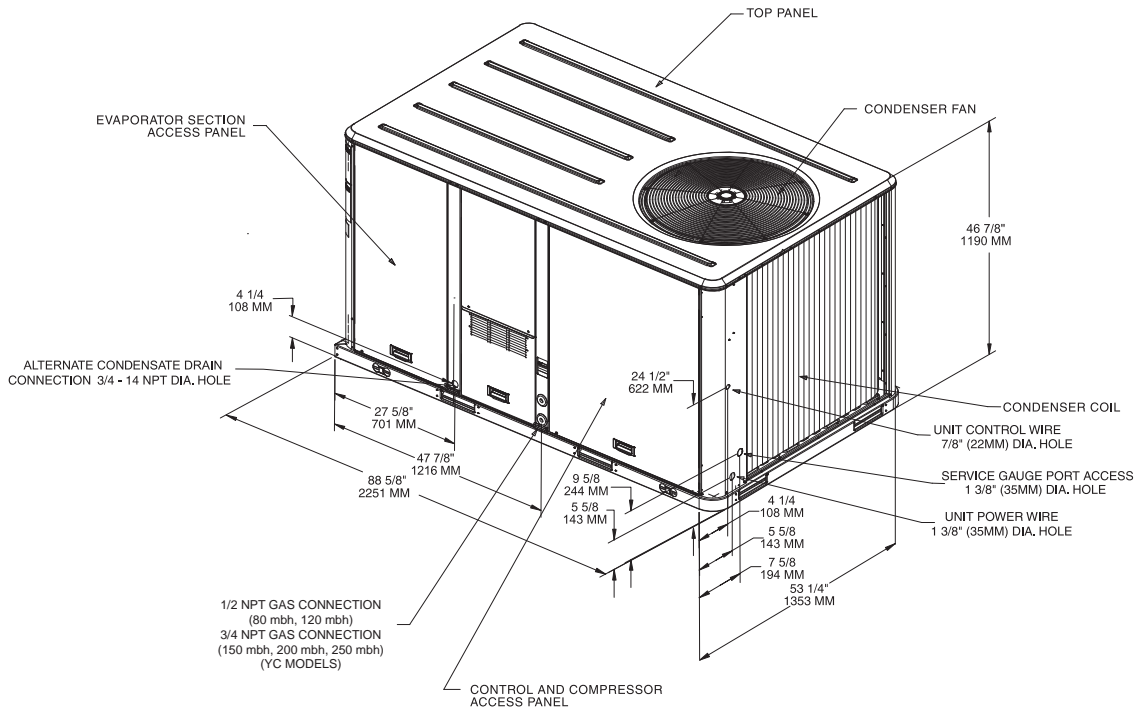


Figure 9. 8½ to 10 tons standard efficiency – roof curb

Note: All dimensions are in inches/millimeters.

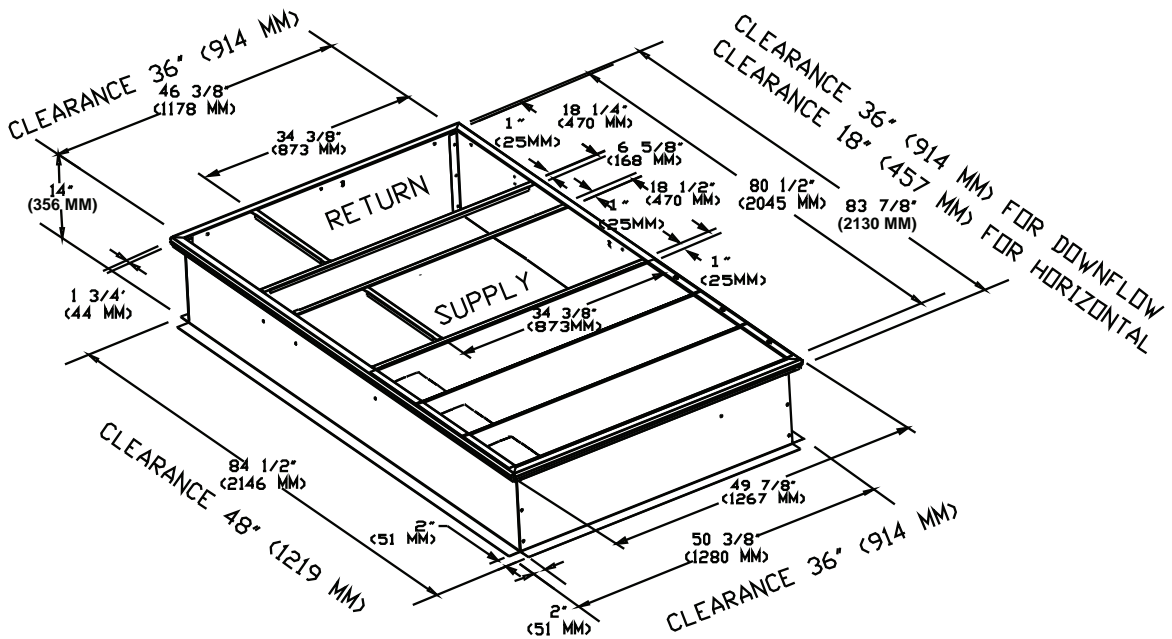
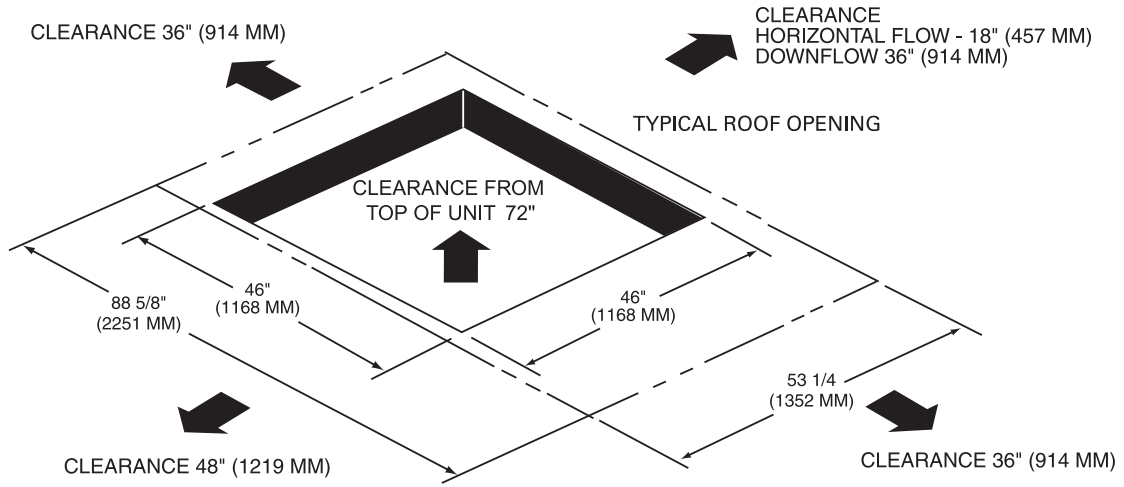


Figure 10. 8½ to 10 tons standard efficiency—unit clearance and roof opening

Note: All dimensions are in inches/millimeters.



Installation

Pre-Installation

⚠ WARNING

Fiberglass Wool!

Product contains fiberglass wool. Disturbing the insulation in this product during installation, maintenance or repair will expose you to airborne particles of glass wool fibers and ceramic fibers known to the state of California to cause cancer through inhalation. Glass wool fibers may also cause respiratory, skin or eye irritation.

Precautionary Measures

- Avoid breathing fiberglass dust.
- Use a NIOSH approved dust/mist respirator.
- Avoid contact with the skin or eyes. Wear long-sleeved, loose-fitting clothing, gloves, and eye protection.
- Wash clothes separately from other clothing: rinse washer thoroughly.
- Operations such as sawing, blowing, tear-out, and spraying may generate fiber concentrations requiring additional respiratory protection. Use the appropriate NIOSH approved respiration in these situations.

First Aid Measures

Eye Contact—Flush eyes with water to remove dust. If symptoms persist, seek medical attention.

Skin Contact—Wash affected areas gently with soap and warm water after handling.

Procedure

⚠ WARNING

Heavy Objects!

Ensure that all the lifting equipment used is properly rated for the weight of the unit being lifted. Each of the cables (chains or slings), hooks, and shackles used to lift the unit must be capable of supporting the entire weight of the unit. Lifting cables (chains or slings) may not be of the same length. Adjust as necessary for even unit lift. Other lifting arrangements could cause equipment or property damage. Failure to follow instructions above or properly lift unit could result in unit dropping and possibly crushing operator/ technician which could result in death or serious injury.

⚠ WARNING

Improper Unit Lift!

Test lift unit approximately 24 inches to verify proper center of gravity lift point. To avoid dropping of unit, reposition lifting point if unit is not level. Failure to properly lift unit could result in unit dropping and possibly crushing operator/technician which could result in death or serious injury and possible equipment or property-only damage.

Figure 11. Corner weights

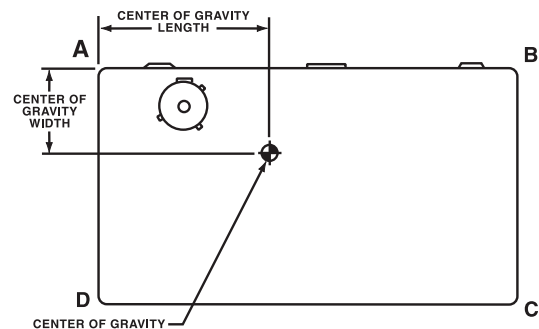


Table 1. Maximum unit and corner weights (lbs/kgs) and center of gravity dimensions (in/mm)—gas/electric models

Tons	Unit Model No.	Maximum Model Weights ^(a)		Corner Weights ^(b)				Center of Gravity (in/mm)	
		Shipping	Net	A	B	C	D	Length	Width
5	YSC060E	689/312	584/264	181/82	144/65	122/55	137/62	40/1025	24/600
6	YSC072E	975/443	843/383	296/134	209/95	158/72	180/82	39/980	21/542
7½	YSC090E	1016/461	884/401	346/157	198/90	159/72	181/82	36/909	20/519
8½	YSC102E	1125/510	987/447	325/147	278/126	174/79	210/95	41/1031	21/526
10	YSC120E	1149/522	1011/459	344/156	265/120	193/88	209/95	40/1020	21/538

(a) Weights are approximate.
 (b) Corner weights are given for information only.

Figure 12. Rigging and center of gravity

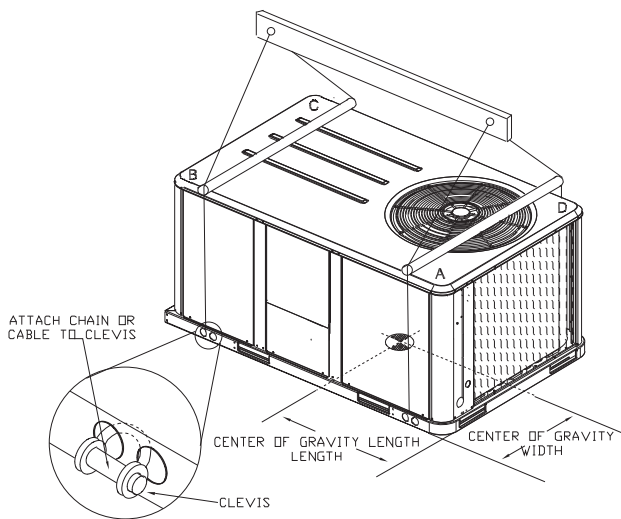


Table 2. Factory-installed options (FIOPs)/accessory net weights (lbs)^{(a),(b)}

Accessory	YSC060ED	YSC072E-120ED
	Net Weight	Net Weight
	5 Ton	6 to 10 Ton
Barometric Relief	7/3	10/5
Coil Guards	12/5	20/9
Economizer	26/12	36/16
Hinged Doors	10/5	12/5
Manual Outside Air Damper	16/7	26/12
Motorized Outside Air Damper	20/9	30/14
Oversized Motor	—	8/4
Roof Curb	61/28	78/35

(a) Weights for options not listed are <5 lbs.
 (b) Net weight should be added to unit weight when ordering factory-installed accessories.

Foundation

Horizontal Units

If the unit is installed at ground level, elevate it above the snow line. Provide concrete footings at each support location with a “full perimeter” support structure or a slab

foundation for support. Refer to [Table 1, p. 17](#) for the unit’s operating and point loading weights when constructing a footing foundation.

If anchoring is required, anchor the unit to the slab using hold down bolts or isolators. Isolators should be installed to minimize the transmission of vibrations into the building.

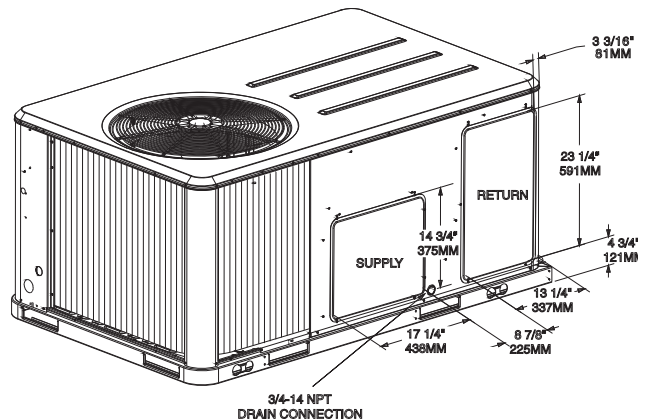
For rooftop applications, ensure the roof is strong enough to support the combined unit and support structural weight. Refer to [Table 1, p. 17](#) for the unit operating weights. If anchoring is required, anchor the unit to the roof with hold-down bolts or isolators.

Check with a roofing contractor for proper waterproofing procedures.

Ductwork

[Figure 13, p. 17](#), [Figure 14, p. 18](#), [Figure 15, p. 18](#), and [Figure 16, p. 18](#) illustrate the supply and return air openings as viewed from the rear of the unit.

Figure 13. 5 ton unit—horizontal supply and return air openings



Installation

Figure 14. 6 to 10 tons high units—horizontal supply and return air openings

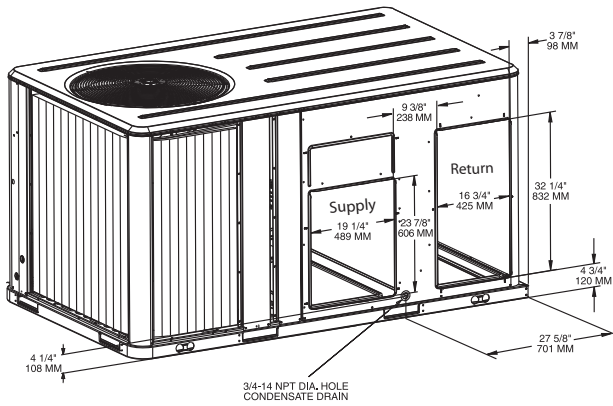


Figure 15, p. 18 and Figure 16, p. 18 illustrate the supply and return air openings in a downflow configuration.

To minimize air noise due to turbulence and to reduce static pressure, use elbows with turning vanes or splitters.

When attaching the ductwork to the unit, provide a water tight flexible connector at the unit to prevent operating sounds from transmitting through the ductwork.

All outdoor ductwork between the unit and the structure should be weather proofed after installation is completed.

Figure 15. 5 ton unit—downflow supply and return air openings with through-the-base utilities

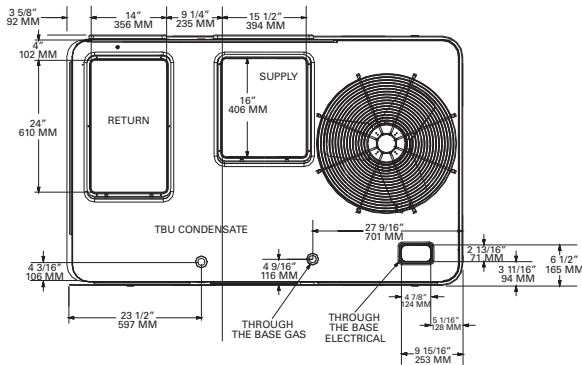
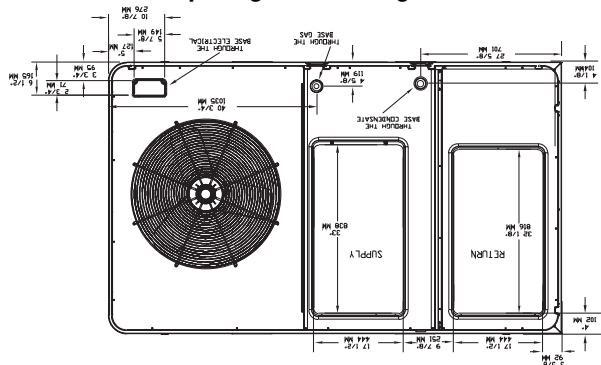


Figure 16. 6 to 10 tons units—downflow supply and return air openings with through-the-base utilities



Roof Curb

Downflow

The roof curbs for these units consists of a “full perimeter” enclosure to support the unit just inside of the unit base rail.

Before installing any roof curb, verify the following:

- It is the correct curb for the unit
- It includes the necessary gaskets and hardware
- The installation location provides the required clearance for proper operation
- The curb is level and square; the top surface of the curb must be true to assure an adequate curb-to-unit seal

WARNING

Combustible Materials!

Maintain proper clearance between the unit heat exchanger, vent surfaces and combustible materials. Refer to unit nameplate and installation instructions for proper clearances. Improper clearances could result in combustible materials catching on fire. Failure to maintain proper clearances could result in death or serious injury or property damage.

Verify that appropriate materials were used in the construction of roof and ductwork. Combustible materials should not be used in the construction of ductwork or roof curb that is in close proximity to heater elements or any hot surface. Any combustible material on the inside of the unit base should be removed and replaced with appropriate material.

Step-by-step curb assembly and installation instructions ship with each accessory roof curb kit. Follow the instructions carefully to assure proper fit-up when the unit is set into place.

Note: To assure proper condensate flow during operation, as well as proper operation of the condensate overflow switch (if equipped), the unit and curb must be level.

If the unit is elevated, a field constructed catwalk around the unit is strongly recommended to provide easy access for unit maintenance and service.

Recommendations for installing the Supply Air and Return Air ductwork joining the roof curb are included in the curb instruction booklet. Curb ductwork must be fabricated and installed by the installing contractor before the unit is set into place.

Note: For sound consideration, cut only the holes in the roof deck for the ductwork penetrations. Do not cut out the entire roof deck within the curb perimeter.

If Curb Accessory Kit Not Used

- The ductwork can be attached directly to the factory-provided flanges around the unit’s supply and

return air openings. Be sure to use flexible duct connections at the unit.

- For “built-up” curbs supplied by others, gaskets must be installed around the curb perimeter flange and the supply and return air opening flanges.

Rigging

⚠ WARNING

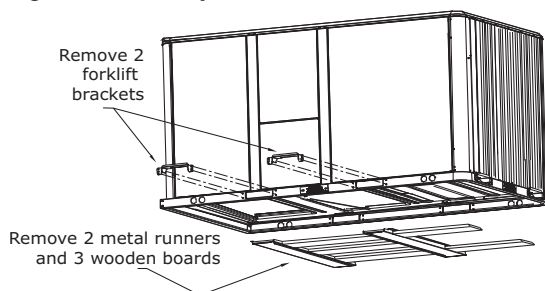
Heavy Objects!

Ensure that all the lifting equipment used is properly rated for the weight of the unit being lifted. Each of the cables (chains or slings), hooks, and shackles used to lift the unit must be capable of supporting the entire weight of the unit. Lifting cables (chains or slings) may not be of the same length. Adjust as necessary for even unit lift. Other lifting arrangements could cause equipment or property damage. Failure to follow instructions above or properly lift unit could result in unit dropping and possibly crushing operator/ technician which could result in death or serious injury.

A rigging illustration and center-of-gravity dimensional data table is shown in [Figure 12, p. 17](#). Refer to the typical unit operating weights table before proceeding.

1. Remove all drill screws fastening wood protection to metal base rail. Remove all screws securing wooden protection to wooden top crate.
On 7½ to 10 ton high efficiency units, remove wire ties from outdoor grill.
2. Remove wooden top crate.
3. Rig the unit as shown in [Figure 12, p. 17](#). Attach adequate strength lifting slings to all four lifting brackets in the unit base rail. Do not use cables, chains, or slings except as shown.
4. Install a lifting bar, as shown in [Figure 12, p. 17](#), to protect the unit and to facilitate a uniform lift. The minimum distance between the lifting hook and the top of the unit should be 7 feet.
5. Test-lift the unit to ensure it is properly rigged and balanced, make any necessary rigging adjustments.
6. Lift the unit enough to allow the removal of base fork pocket protection components as shown in the following figures.

Figure 17. Fork pockets



7. Downflow units: align the base rail of the unit with the curb rail while lowering the unit onto the curb. Make sure that the gasket on the curb is not damaged while positioning the unit.

General Unit Requirements

The following checklist is a summary of the steps required to successfully install a commercial unit. This checklist is intended to acquaint installing personnel with what is required in the installation process. It does not replace detailed instructions in this manual.

- Check the unit for shipping damage and material shortage; file a freight claim and notify appropriate sales representative.
- Verify correct model, options and voltage from unit nameplate.
- Verify that the installation location of the unit will provide the required clearance for proper operation.
- Assemble and install the roof curb (if applicable). Refer to the latest edition of the curb installers guide that ships with each curb kit.
- Fabricate and install ductwork; secure ductwork to curb.
- Install pitch pocket for power supply through building roof. (If applicable)
- Rigging the unit.
- Set the unit onto the curb; check for levelness.
- Ensure unit-to-curb seal is tight and without buckles or cracks.
- Install and connect a condensate drain line to the evaporator drain connection.

Note: *Condensate Overflow Switch (if equipped) will not work if unit is not level properly.*

Factory-Installed Economizer

- Ensure the economizer has been pulled out into the operating position. Refer to the economizer installers guide for proper position and setup.
- Install all access panels.

Temperature Limit Switch Usage for Gas Heat Units

Units are factory shipped in the down flow discharge configuration but can be field converted to a horizontal discharge configuration. Some, but not all, units require a different TCO1 limit switch, which is attached to the combustion blower motor if horizontal discharge configuration is used.

Note: *The following units require a limit switch change out for horizontal discharge. The additional limit switch is shipped attached to the combustion blower housing: YSC060ED*H, YSC072ED*H, YSC090ED*H, YSC102ED*H, YSC120ED*H.*

Installation

If any of the units listed in the previous note are installed in the down flow discharge configuration, remove and discard the additional TCO1 limit switch from the combustion blower motor.

Table 3. TCO1 tripping values

Unit Model (Standard Efficiency)	TCO1 Tripping Values Downflow/ Horizontal
YSC060ED*L	170F
YSC060ED*H	170F/200F
YSC072ED*L	200F
YSC072E*H	180F/220F
YSC090ED*L	200F
YSC090ED*H	180F/220F
YSC102ED*L	200F
YSC102ED*H	190F/260F
YSC120ED*L	200F
YSC120ED*H	190F/260F

Horizontal Discharge Conversion (5 Ton Units)

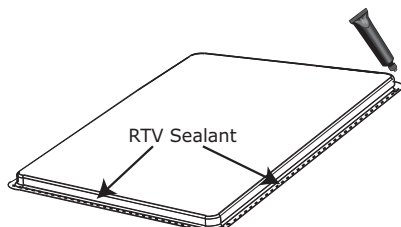
Supplies needed by installer for conversion: 3 oz. tube of high temperature RTV sealant. (500°F / 260°C: similar to Dow Corning 736)

Important: Failure to use recommended sealant could result in unit performance loss.

If a unit is to be converted to a horizontal discharge, the following conversion must be performed:

1. Remove RETURN and SUPPLY duct covers.
2. Locate supply cover. Apply ¼ inch (6mm) continuous bead of 500°F RTV sealant to the flange as shown.

Figure 18. Duct cover



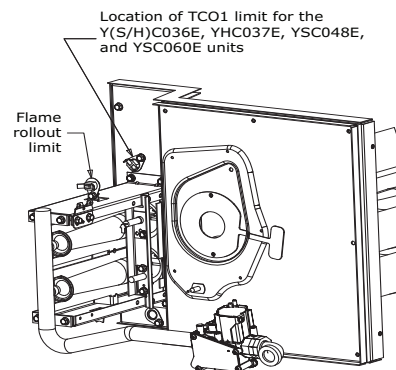
3. Position duct cover as shown and rotate 90 degrees to allow entrance into supply opening.
4. Slide duct covers into duct openings until inward edge of duct cover engages with the 2 retaining clips on the duct flanges. Secure the outward edge of each duct cover with 2 screws.
5. Slide RETURN DUCT COVER (insulation side up) into supply opening until inward edge of duct cover engages with the 2 retaining clips on the duct flange. Secure outward edge of the duct cover with two screws.

6. After completing installation of the duct covers for horizontal discharge, proceed to TCO-1 instructions.

TCO1 Instructions–Unit Model Number YSC060ED*H

If the unit being installed is YSC060ED*H, the limit control TCO1 must be replaced with the extra limit control shipped in the heater compartment. Replace TCO1 using steps 1 through 3 of the following instructions. If the unit being installed is not YSC060ED*H, skip steps 1 through 3 and go to the next step in the installation process.

Figure 19. TCO1 location (YSC060ED*H)



⚠ WARNING

Hazardous Voltage!

Disconnect all electric power, including remote disconnects before servicing. Follow proper lockout/tagout procedures to ensure the power can not be inadvertently energized. Failure to disconnect power before servicing could result in death or serious injury.

1. Remove the heat section access panel.
2. Remove TCO1 from shipping location, attached to the combustion blower.
3. Replace and discard the existing TCO1 originally installed at the factory for downflow operation with the TCO1, which was shipped attached to the combustion blower for horizontal operation.
4. Replace heat section access panel.

Horizontal Discharge Conversion (6 to 10 Ton Units)

Note: 6 to 10 ton units the supply cover to return opening and return cover to supply opening.

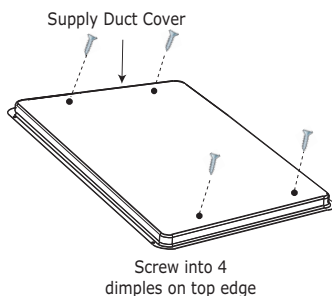
Supplies needed by installer for conversion: 3 oz. tube of high temperature RTV sealant (500°F/260°C: Similar to Dow Corning 736).

Important: Failure to use recommended sealant could result in unit performance loss.

If a unit is to be converted to a horizontal discharge, the following conversion must be performed:

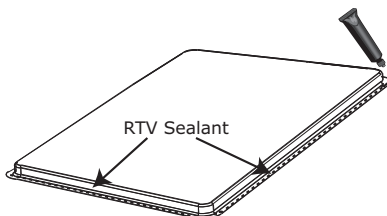
1. Remove RETURN and SUPPLY duct covers.
2. Place SUPPLY DUCT COVER over downflow return opening (insulation side down).
3. Using self-drilling screws (or screws removed from duct cover), screw through dimples to attach DUCT COVER to base.

Figure 20. Duct cover



4. On original RETURN DUCT COVER, apply ¼" (6mm.) continuous bead of 500°F RTV sealant around flange (opposite insulation side), as shown.

Figure 21. Duct cover



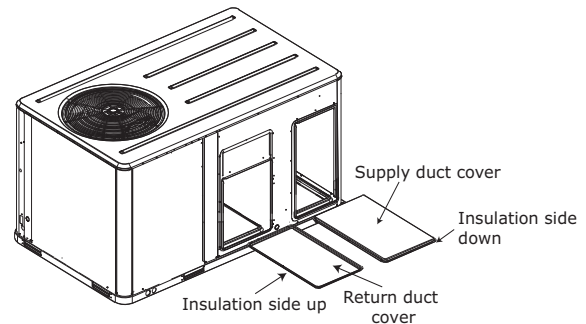
5. Slide RETURN DUCT COVER (insulation side up) into supply opening until inward edge of duct cover engages with the 2 retaining clips on the duct flange. Secure outward edge of the duct cover with two screws.

Note: If unit is equipped with Return Air Smoke Detector, refer to field conversion instructions for horizontal discharge before installing return air duct.

Note: If unit is equipped with Discharge Air Sensing option refer to the following figure for proper tube positioning based on unit tonnage.

6. After completing installation of the duct covers for horizontal discharge, proceed to TCO-1 instructions.

Figure 22. Supply and return covers



TCO1 Instructions—Unit Model Numbers YSC072ED*H, YSC090ED*H, YSC102ED*H, YSC120ED*H

If the unit being installed is one of these models, the limit control TCO1 must be replaced with the extra limit control shipped in the heater compartment. Replace TCO1 using steps 1 through 3 in the following instructions. If the unit being installed does not correspond to any of these models, skip steps 1 through 3 and go to the next step in the installation process.

⚠ WARNING

Hazardous Voltage!

Disconnect all electric power, including remote disconnects before servicing. Follow proper lockout/tagout procedures to ensure the power can not be inadvertently energized. Failure to disconnect power before servicing could result in death or serious injury.

1. Remove the heat section access panel.
2. Remove TCO1 from shipping location, attached to the combustion blower.
3. Replace and discard the existing TCO1 originally installed at the factory for downflow operation with the TCO1, which was shipped attached to the combustion blower for horizontal operation.
4. Replace heat section access panel.

Installation

Requirements for Gas Heat

Note: *The unit gas train and optional through the base gas shut-off valve are rated at 1/2 PSIG maximum. A pressure reducing regulator is recommended to prevent this maximum from being exceeded. These components must be isolated during field gas piping test that exceed 1/2 PSIG. It is recommended that the field piping be capped prior to the unit gas train or optional through the base gas shut-off valve if present.*

- Gas supply line properly sized and connected to the unit gas train.
- All gas piping joints properly sealed.
- Gas piping leak checked with a soap solution. If piping connections to the unit are complete, do not pressurize piping in excess of 0.50 psig or 14" W.C. to prevent component failure.
- Drip leg Installed in the gas piping near the unit.
- Minimum gas supply pressure should be 4.5" W.C.
- Maximum gas supply pressure must not exceed 14.0" W.C.
- Manifold pressure for single stage heaters should be set to 3.3" W.C.
- Manifold pressure for two stage heaters should be set to 3.5" W.C. on HIGH FIRE and 1.8" W.C. on LOW FIRE.
- Flue Exhaust clear of any obstruction.

Condensate Drain Configuration

An evaporator condensate drain connection is provided on each unit. Refer to [Figure 13, p. 17](#) and [Figure 14, p. 18](#) for the appropriate drain location.

The condensate drain pan is factory installed to drain condensate to the back side of the unit. See [Figure 13, p. 17](#) and [Figure 14, p. 18](#). It can be converted to drain condensate out the front side of the unit or through the base.

Before drain pan removal, switch wire must be disconnected from wire tie on panel and any tape before drain pan can be removed.

Care must be taken wire does not catch on bottom of Indoor coil or any protrusions when drain pan is removed.

To Convert Drain Condensate through Front of Unit

1. Remove evaporator access panel and supply air access panels.
2. Remove the support panel that the condensate drain pan exits through.
3. Slide the condensate drain pan out of the unit and rotate 180°.

4. Slide the condensate drain pan back into the unit, align the drain with the grommets opening in the rear support panel and push until the coupling is seated in the grommet.
5. Replace the front support panel by aligning the panel with tabs in the raceway. Align the condensate drain pan support in the grommets hole as the panel is put in place.
6. Replace evaporator access panel and supply air access panels.

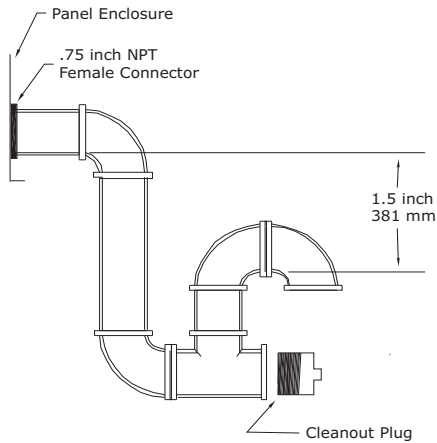
To Convert Drain Condensate through the Base of Unit

1. Remove evaporator access panel and supply air access panels.
2. Remove the support panel that the condensate drain pan exits through.
3. Slide the condensate drain pan out of the unit.
4. Place on a level surface in the position it was removed from the unit.
5. Remove the plug knockout in the bottom of the drain pan to convert it to through the base drainage.
6. Plug the original condensate drain opening with a field-supplied 3/4" NPT plug.
7. Slide the condensate drain pan back into the unit, align the drain support with the grommets opening in the rear support panel and push until the support is seated in the grommet.
8. Replace the front support panel by aligning the panel with tabs in the raceway. Align the plugged condensate drain pan coupling in the grommets hole as the panel is put in place.
9. Replace evaporator access panel and supply air access panels.

A condensate trap must be installed at the unit due to the drain connection being on the "negative pressure" side of the fan. Install the P-Trap using the guidelines in [Figure 23, p. 23](#).

A condensate drain line must be connected to the P-Trap. Pitch the drain lines at least 1/2 inch for every 10 feet of horizontal run to assure proper condensate flow. Do not allow the horizontal run to sag causing a possible double-trap condition which could result in condensate backup due to "air lock".

Figure 23. Condensate trap installation



Drain Pan Removal (Units with Condensate Overflow Switch Option)

Before drain pan removal, the switch wire must be disconnected from wire tie on panel and/or any tape before drain pan can be removed.

Care must be taken so the wire does not catch on the bottom of indoor coil or any protrusion.

Note: When reversing the drain pan, on some units, the condensate overflow switch will need to be moved to the second hole in its bracket to avoid contact with headers or indoor coil.

Filter Installation

The quantity of filters is determined by unit size. Access to the filters is obtained by removing the filter access panel. Refer to the unit Service Facts (shipped with each unit) for filter requirements.

Note: Do not operate the unit without filters.

Field-Installed Power Wiring

⚠ WARNING

Proper Field Wiring and Grounding Required!

All field wiring MUST be performed by qualified personnel. Improperly installed and grounded field wiring poses FIRE and ELECTROCUTION hazards. To avoid these hazards, you MUST follow requirements for field wiring installation and grounding as described in NEC and your local/state electrical codes. Failure to follow code could result in death or serious injury.

An overall dimensional layout for the field-installed wiring entrance into the unit is illustrated in “Unit Dimensions,” p. 10. To ensure that the unit’s supply power wiring is properly sized and installed, use the following guidelines.

- Verify that the power supply available is compatible with the unit’s nameplate ratings.
- The available supply power must be within 10% of the rated voltage stamped on the nameplate.
- Use only copper conductors to connect the power supply to the unit.

NOTICE

Use Copper Conductors Only!

Unit terminals are not designed to accept other types of conductors. Failure to use copper conductors could result in equipment damage.

Note: If the unit is not equipped with an optional factory installed non-fused disconnect switch or circuit breaker, a field-supplied disconnect switch must be installed at or near the unit in accordance with the National Electrical Code (NEC latest edition).

Main Unit Power

⚠ WARNING

Proper Field Wiring and Grounding Required!

All field wiring MUST be performed by qualified personnel. Improperly installed and grounded field wiring poses FIRE and ELECTROCUTION hazards. To avoid these hazards, you MUST follow requirements for field wiring installation and grounding as described in NEC and your local/state electrical codes. Failure to follow code could result in death or serious injury.

⚠ WARNING

Hazardous Voltage!

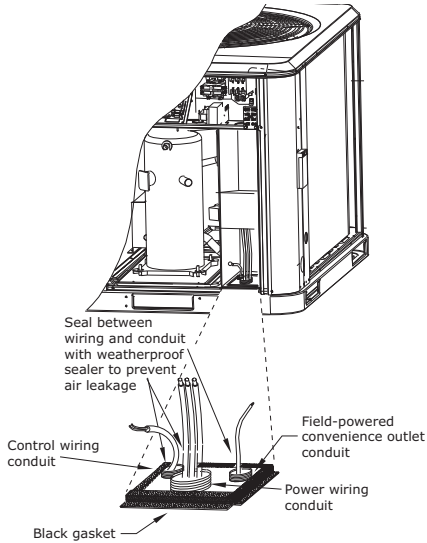
Disconnect all electric power, including remote disconnects before servicing. Follow proper lockout/tagout procedures to ensure the power can not be inadvertently energized. Failure to disconnect power before servicing could result in death or serious injury.

Standard Wiring

1. Location of the applicable electrical service entrance is illustrated in “Unit Dimensions,” p. 10. Complete the unit’s power wiring connections at Compressor Contactor # 1 (CC1) inside the unit control panel. Refer to the customer connection diagram that is shipped with the unit for specific termination points
2. Provide proper grounding for the unit in accordance with local and national codes.

Installation

Figure 24. All units



Field-Installed Control Wiring

Note: All field wiring must conform to NEC guidelines as well as state and local codes.

Control Power Transformer

The 24-volt control power transformers are to be used only with the accessories called out in this manual. Transformers rated greater than 50 VA are equipped with internal circuit breakers. If a circuit breaker trips, turn off all power to the unit before attempting to reset it.

⚠ WARNING

Hazardous Voltage!

Disconnect all electric power, including remote disconnects before servicing. Follow proper lockout/tagout procedures to ensure the power can not be inadvertently energized. Failure to disconnect power before servicing could result in death or serious injury.

The transformer is located in the control panel. The circuit breaker is located on the left side of the transformer; reset it by pressing the black reset button.

Controls Using 24 VAC

Before installing any connecting wiring, refer to “Unit Dimensions,” p. 10 for the electrical access locations provided on the unit, Table 4, p. 24 for AC conductor sizing guidelines, and the following guidelines:

- Use copper conductors unless otherwise specified.
- Ensure that the AC control wiring between the controls and the unit’s termination point does not exceed 3 ohms/conductor for the length of the run.

Note: Resistance in excess of 3 ohms per conductor may cause component failure due to insufficient AC voltage supply.

Note: Be sure to check all loads and conductors for grounds, shorts, and mis-wiring.

- Do not run the AC low voltage wiring in the same conduit with the high voltage power wiring.
- Route low voltage wiring per Figure 27, p. 25.

Table 4. Electromechanical thermostat 24V AC conductors with ReliaTel™

Distance from Unit to Control	Recommended Wire Size
000 to 460 feet	18 gauge
000 to 140 m	.75 mm ²
461 to 732 feet	16 gauge
141 to 223 m	1.3 mm ²
733 to 1000 feet	14 gauge
224 to 305 m	2.0 mm ²

Controls using DC Analog Input/Outputs (Standard Low Voltage Multi-Conductor Wire)

Before installing any connecting wiring between the unit and components using a DC analog input/output signal, refer to “Unit Dimensions,” p. 10 for the electrical access locations provided on the unit.

- Table 5, p. 24 lists the conductor sizing guidelines that must be followed when interconnecting the DC binary output devices and the system components using a DC analog input/output signal to the unit.

Note: Resistance in excess of 2.5 ohms per conductor can cause deviations in the accuracy of the controls.

Note: Ensure that the wiring between controls and the unit’s termination point does not exceed 2.5 ohms per conductor for the length of the run.

- Do not run the electrical wires transporting DC signals in or around conduit housing high voltage wires.
- Route low voltage wiring per Figure 27, p. 25.

DC Conductors

Table 5. Zone sensor module wiring

Distance from Unit to Control	Recommended Wire Size
0 to 150 feet	22 gauge
0 to 45.7 m	.33 mm ²
151 to 240 feet	20 gauge
46 to 73.1 m	.50 mm ²
241 to 385 feet	18 gauge
73.5 to 117.3 m	.75 mm ²
386 to 610 feet	16 gauge
117.7 to 185.9 m	1.3 mm ²
611 to 970 feet	14 gauge
186.2 - 295.7 m	2.0 mm ²

Figure 25. ReliaTel™ conventional thermostat field wiring diagrams

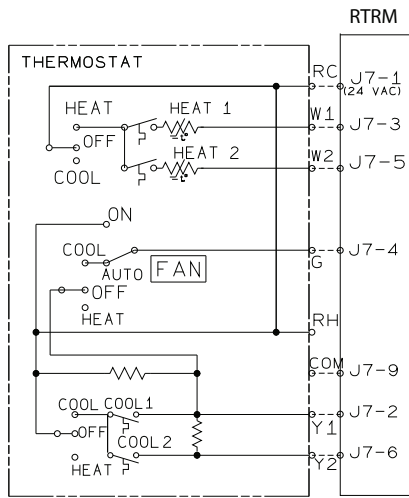


Figure 26. ReliaTel options module

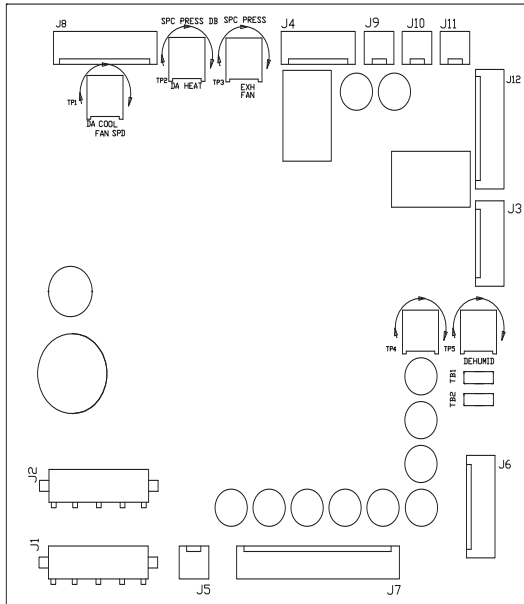
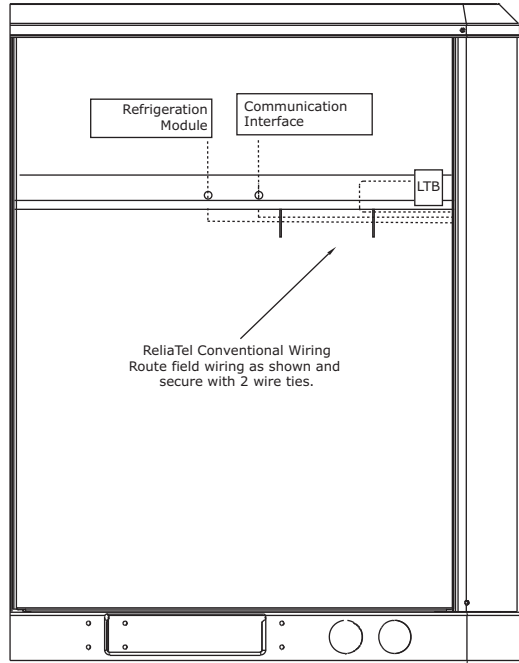


Figure 27. ReliaTel control customer low voltage routing



Space Temperature Averaging (ReliaTel™ Only)

Space temperature averaging is accomplished by wiring a number of remote sensors in a series/parallel circuit.

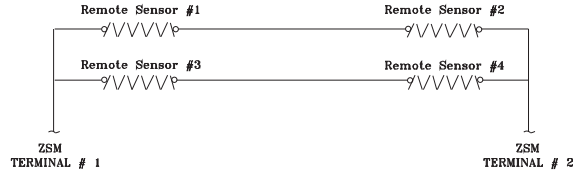
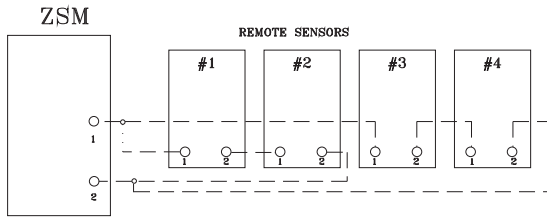
Using the BAYSENS016* or BAYSENS077*, at least four sensors are required to accomplish space temperature averaging. See [Figure 28, p. 26](#).

- Example #1 illustrates two series circuits with two sensors in each circuit wired in parallel. The square of any number of remote sensors is required.
- Example #2 illustrates three sensors squared in a series/parallel circuit. Using BAYSENS077*, two sensors are required to accomplish space temperature averaging.
- Example #3 illustrates the circuit required for this sensor. [Table 6, p. 28](#) lists the temperature versus resistance coefficient for all sensors.

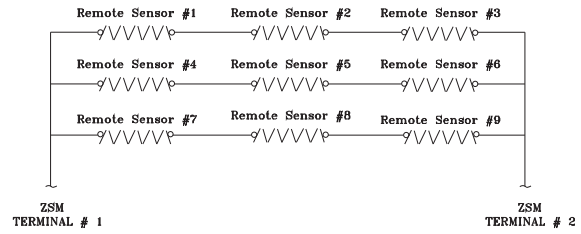
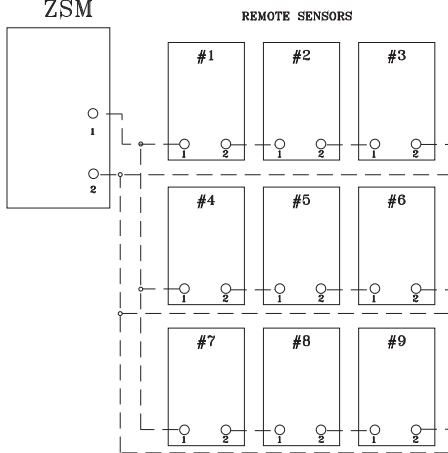
Installation

Figure 28. Examples

EXAMPLE #1



EXAMPLE #2



EXAMPLE #3

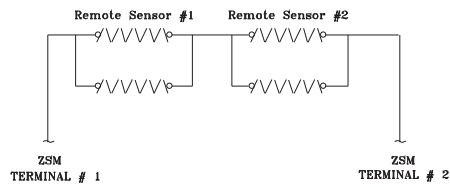
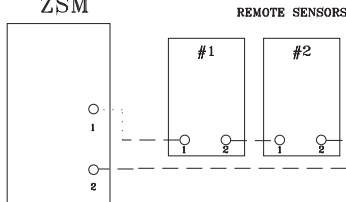
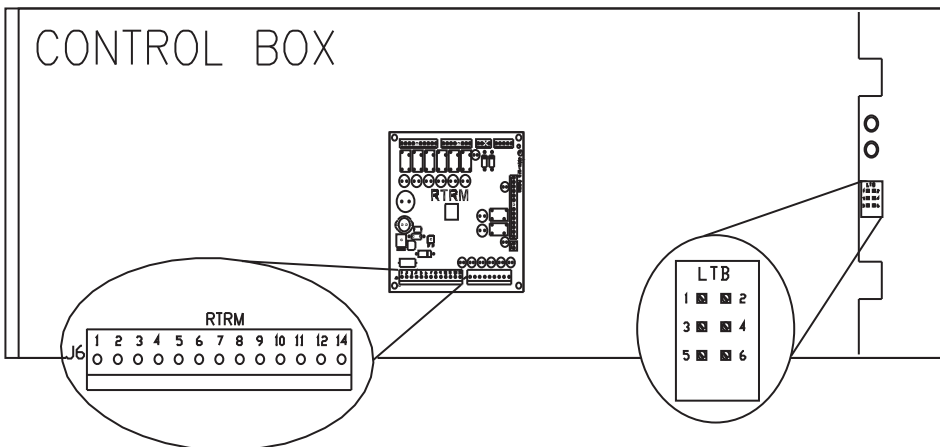
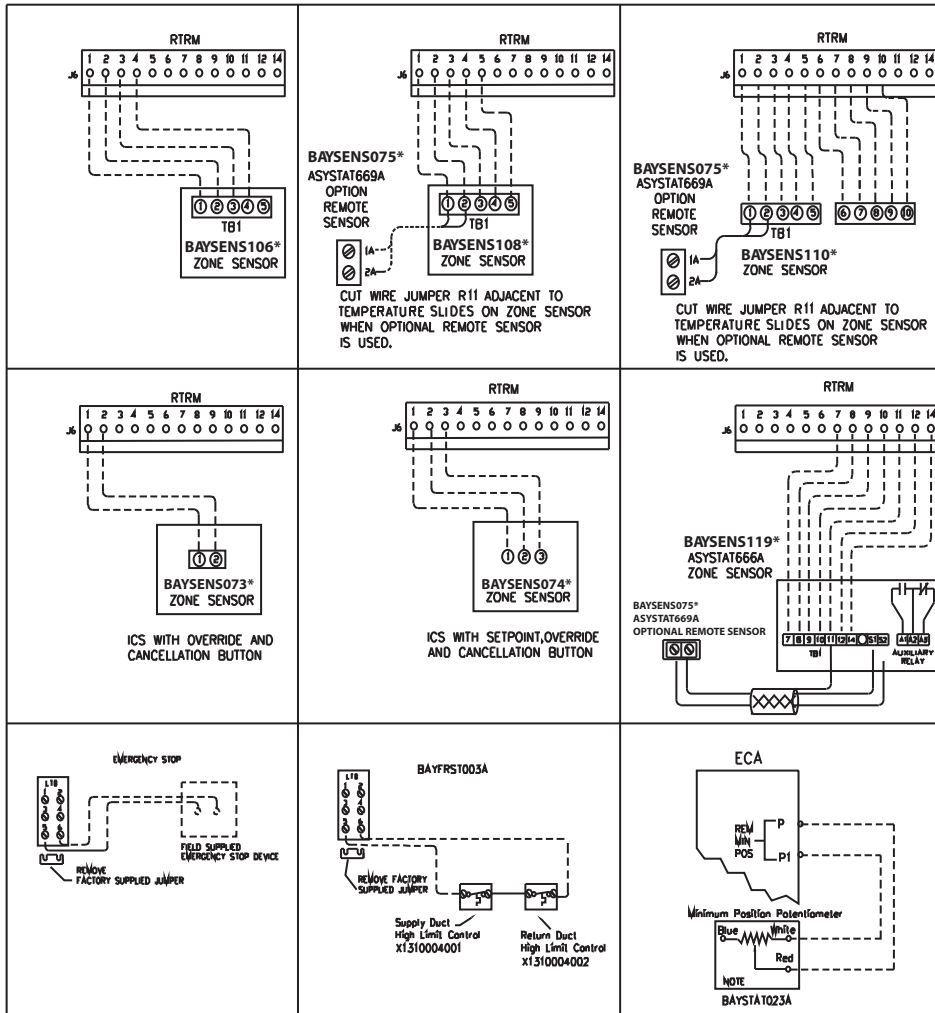


Figure 29. Typical field wiring diagrams for optional controls (ReliaTel™ only)



Installation

Table 6. Temperature vs. resistance

Temperature		
Degrees F°	Degrees C°	Nominal Resistance
-20°	-28.9°	170.1 K - Ohms
-15°	-26.1°	143.5 K - Ohms
-10°	-23.3°	121.4 K - Ohms
-5°	-20.6°	103.0 K - Ohms
0°	-17.8°	87.56 K - Ohms
5°	-15.0°	74.65 K - Ohms
10°	-12.2°	63.80 K - Ohms
15°	-9.4°	54.66 K - Ohms
20°	-6.7°	46.94 K - Ohms
25°	-3.8°	40.40 K - Ohms
30°	-1.1°	34.85 K - Ohms
35°	1.7°	30.18 K - Ohms
40°	4.4°	26.22 K - Ohms
45°	7.2°	22.85 K - Ohms
50°	10.0°	19.96 K - Ohms
55°	12.8°	17.47 K - Ohms
60°	15.6°	15.33 K - Ohms
65°	18.3°	13.49 K - Ohms
70°	21.1°	11.89 K - Ohms
75°	23.9°	10.50 K - Ohms
80°	26.7°	9.297 K - Ohms
85°	29.4°	8.247 K - Ohms
90°	32.2°	7.330 K - Ohms
95°	35.0°	6.528 K - Ohms

Table 7. Sizing natural gas pipe mains and branches

Length of Pipe (ft)	Iron Pipe Size (IPS) Inches				
	1/2" Pipe	3/4" Pipe	1" Pipe	1 1/4" Pipe	1 1/2" Pipe
15	76	176	345	750	1220
30	52	120	241	535	850
45	43	99	199	435	700
60	38	86	173	380	610
75		77	155	345	545

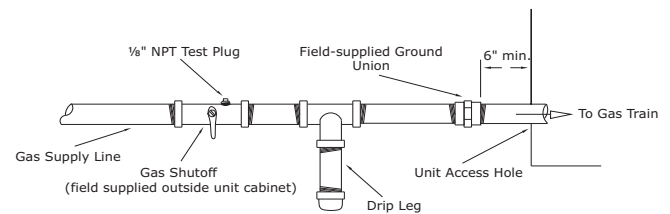
Note: Capacity of pipe of different diameters and lengths in cu. ft. per hr. with pressure drop of 0.3" and specific gravity of 0.60

Table 8. Iron pipe size (SI) millimeters

Length of Pipe (Meters)	Iron Pipe Size (SI) Millimeters				
	15 mm Pipe	20 mm Pipe	25 mm Pipe	32 mm Pipe	40 mm Pipe
4.6	2.15	4.98	9.76	21.23	34.54
9.1	1.47	3.39	6.82	15.14	24.06
13.7	1.21	2.80	5.63	12.31	19.82
18.3	1.07	2.43	4.89	10.76	17.27
22.9	—	2.18	4.38	9.76	15.40

Note: Capacity of pipe of different diameters and lengths in cu. meter per hr. with pressure drop of 74.6 pa and specific gravity of 0.60.

Figure 30. Schematic diagram for field gas piping to unit



Pre-Start

Use the following checklist in conjunction with the "General Unit Requirements" checklist to ensure that the unit is properly installed and ready for operation.

⚠ WARNING

Hazardous Voltage w/Capacitors!

Disconnect all electric power, including remote disconnects and discharge all motor start/run capacitors before servicing. Follow proper lockout/tagout procedures to ensure the power cannot be inadvertently energized. Verify with an appropriate voltmeter that all capacitors have discharged. Failure to disconnect power and discharge capacitors before servicing could result in death or serious injury.

For additional information regarding the safe discharge of capacitors, see PROD-SVB06A-EN

- Verify that the condenser airflow will be unobstructed.

⚠ WARNING

Rotating Components!

During installation, testing, servicing and troubleshooting of this product it may be necessary to work with live and exposed rotating components. Have a qualified or licensed service individual who has been properly trained in handling exposed rotating components, perform these tasks. Failure to follow all safety precautions could result in rotating components cutting and slashing technician which could result in death or serious injury.

- Verify that the condenser fan and indoor blower turn freely without rubbing and are properly tightened on the shafts.
- Check the supply fan belts for proper tension and the fan bearings for sufficient lubrication. If the belts require adjustment, or if the bearings need lubricating, refer to the maintenance section of this manual for instructions.
- Verify that a condensate trap is installed and the piping is properly sized and pitched.
- Verify that the correct size and number of filters are in place.
- Inspect the interior of the unit for tools and debris and install all panels in preparation for starting the unit.

Voltage Imbalance

Three phase electrical power to the unit must meet stringent requirements for the unit to operate properly.

Measure each leg (phase-to-phase) of the power supply. Each reading must fall within the utilization range stamped on the unit nameplate. If any of the readings do not fall within the proper tolerances, notify the power

company to correct this situation before operating the unit.

Excessive three phase voltage imbalance between phases will cause motors to overheat and eventually fail. The maximum allowable voltage imbalance is 2%. Measure and record the voltage between phases 1, 2, and 3 and calculate the amount of imbalance as follows:

$$\% \text{ Voltage Imbalance} = \frac{100 \times AV - VD}{AV} \text{ where:}$$

$$AV \text{ (Average Voltage)} = \frac{\text{Volt 1} + \text{Volt 2} + \text{Volt 3}}{3}$$

V1, V2, V3 = Line voltage readings

VD = Line voltage reading that deviates the farthest from the average voltage.

Example: If the voltage readings of the supply power measured 221, 230, and 227, the average volts would be:

$$\frac{221 + 230 + 227}{3} = 226 \text{ Avg.}$$

VD (reading farthest from average) = 221

The percentage of imbalance equals:

$$\frac{100 \times 226 - 227}{226} = 2.2\%$$

The 2.2% imbalance in this example exceeds the maximum allowable imbalance of 2.0%. This much imbalance between phases can equal as much as a 20% current imbalance with a resulting increase in motor winding temperatures that will decrease motor life. If the voltage imbalance is over 2%, notify the proper agencies to correct the voltage problem before operating this equipment.

Electrical Phasing (Three-Phase Motors)

The compressor motor(s) and the supply fan motor are internally connected for the proper rotation when the incoming power supply is phased as A, B, C.

Before starting the unit, quickly determine and correct proper electrical supply phasing by using an instrument such as an Associated Research Model 45 Phase Sequence Indicator and the following steps:

- Turn the field-supplied disconnect switch that provides power to the main power terminal block or to the "Line" side of the optional factory-mounted disconnect switch to the OFF position.
- Connect the phase sequence indicator leads to the terminal block or to the "Line" side of the optional factory-mounted disconnect switch as follows:
 - Black (phase A) to L1
 - Red (phase B) to L2
 - Yellow (phase C) to L3

Pre-Start

- Close the field-supplied main power disconnect switch or circuit protector switch that provides the supply power to the unit.

Note: Upon closing main power disconnect and the unit-mounted disconnect switch or circuit breaker, the phase monitor will verify proper phasing. If LED on face of the monitor is red, correct supply power fault.

⚠ WARNING

Live Electrical Components!

During installation, testing, servicing and troubleshooting of this product, it may be necessary to work with live electrical components. Have a qualified licensed electrician or other individual who has been properly trained in handling live electrical components perform these tasks. Failure to follow all electrical safety precautions when exposed to live electrical components could result in death or serious injury.

To prevent injury or death from electrocution, it is the responsibility of the technician to recognize this hazard and use extreme care when performing service procedures with the electrical power energized.

- Observe the ABC and CBA phase indicator lights on the face of the sequencer. The ABC indicator light will glow if the phase is ABC. If the CBA indicator light glows, open the disconnect switch or circuit protection switch and reverse any two power wires.
- Restore the main electrical power and recheck the phasing. If the phasing is correct, open the disconnect switch or circuit protection switch and remove the phase sequence indicator.

Compressor Crankcase Heaters (Optional)

Each compressor can be equipped with a crankcase heater (on some units the crankcase heater comes standard). The proper operation of the crankcase heater is important to maintain an elevated compressor oil temperature during the OFF cycle to reduce oil foaming during compressor starts. Oil foaming occurs when refrigerant condenses in the compressor and mixes with the oil. In lower ambient conditions, refrigerant migration to the compressor could increase.

When the compressor starts, the sudden reduction in crankcase pressure causes the liquid refrigerant to boil rapidly causing the oil to foam. This condition could damage compressor bearings due to reduced lubrication and could cause compressor mechanical failures.

Before starting the unit in the "Cooling" mode, set the system switch to the OFF position and turn the main power disconnect to the ON position and allow the crankcase heater to operate a minimum of 8 hours.

Before closing the main power disconnect switch, ensure that the "System" selection switch is in the OFF position and the "Fan" selection switch is in the "Auto" position.

Close the main power disconnect switch and the unit-mounted disconnect switch, if applicable.

Note: Upon closing main power disconnect and the unit-mounted disconnect switch or circuit breaker, the phase monitor will verify proper phasing. If LED on face of the monitor is red, correct supply power fault.

⚠ WARNING

Live Electrical Components!

During installation, testing, servicing and troubleshooting of this product, it may be necessary to work with live electrical components. Have a qualified licensed electrician or other individual who has been properly trained in handling live electrical components perform these tasks. Failure to follow all electrical safety precautions when exposed to live electrical components could result in death or serious injury.

To prevent injury or death from electrocution, it is the responsibility of the technician to recognize this hazard and use extreme care when performing service procedures with the electrical power energized.

ReliaTel™ Controls

Upon power initialization, the RTRM performs self-diagnostic checks to ensure that all internal controls are functional. It also checks the configuration parameters against the components connected to the system. The Liteport LED located on the RTRM module turns on within one second of power-up if internal operation is okay.

Use one of the following "Test" procedures to bypass some time delays and to start the unit at the control panel. Each step of unit operation can be activated individually by temporarily shorting across the "Test" terminals for two to three seconds. The Liteport LED located on the RTRM module will blink when the test mode has been initiated. The unit can be left in any "Test" step for up to one hour before it will automatically terminate, or it can be terminated by opening the main power disconnect switch. Once the test mode has been terminated, the Liteport LED will glow continuously and the unit will revert to the "System" control.

Table 9. Service test guide for component operation

Test Step	Mode	Fan	Econ (a)	Comp 1	Comp 2	Heat 1	Heat 2	Resistance	PWM Output ^(b)	Multi-Speed Fan Output
1	Fan	On	Minimum Position Setpoint 0%	Off	Off	Off	Off	2.2kΩ	50%	low
	Minimum Ventilation	On	Selectable	Off	Off	Off	Off			
2	Economizer Test Open	On	Open	Off	Off	Off	Off	3.3kΩ	50% ^(c)	low
3	Cool Stage 1	On	Minimum Position	On ^(d)	Off	Off	Off	4.7kΩ	82%	low
4 ^(e)	Cool Stage 2	On	Minimum Position	On ^(d)	On ^(d)	Off	Off	6.8kΩ	100%	High (2-step cooling) Low (3-step cooling)
5 ^(e)	Cool Stage 3	On	Minimum Position	On ^(d)	On ^(d)	Off	Off	8.2kΩ	100%	High
6 ^(e)	Reheat	On	Minimum	On	On	Off	Off	33kΩ	100% ^(f)	High
7 ^(e)	Heat Stage 1	On	Minimum	Off	Off	On	Off	10kΩ	100%	High
8 ^(e)	Heat Stage 2	On	Minimum	Off	Off	On	On	15kΩ	100%	High

(a) The exhaust fan will turn on anytime the economizer damper position is equal to or greater than the exhaust fan setpoint.

(b) The PWM Output is in reference to the user selected maximum unit fan speed.

(c) Regardless of the Economizer Mode configuration, the unit will run the Supply Fan at the minimum speed during the Economizer step of the Service Test.

(d) The condenser fans will operate any time a compressor is on, providing the outdoor air temperatures are within the operating values.

(e) Steps for optional accessories and non-applicable modes in unit will be skipped.

(f) Units with Enhanced Dehumidification only will not perform this step during Service Test.

Test Modes

There are three methods in which the “Test” mode can be cycled at LTB-Test 1 and LTB-Test 2.

1. **Step Test Mode**—This method initiates the different components of the unit, one at a time, by temporarily shorting across the two test terminals for two to three seconds. For the initial start-up of the unit, this method allows the technician to cycle a component “On” and have up to one hour to complete the check.
2. **Resistance Test Mode**—This method can be used for start-up providing a decade box for variable resistance outputs is available. This method initiates the different components of the unit, one at a time, when a specific resistance value is placed across the two test terminals. The unit will remain in the specific test mode for approximately one hour even though the resistance is left on the test terminals.
3. **Auto Test Mode**—This method is not recommended for start-up due to the short timing between individual component steps. This method initiates the different components of the unit, one at a time, when a jumper is installed across the test terminals. The unit will start the first test step and change to the next step every 30 seconds.

At the end of the test mode, control of the unit will automatically revert to the applied “System” control method.

For unit test steps, test modes, and step resistance values to cycle the various components, refer to [Table 9, p. 31](#).

ReliaTel™ Controls

Upon power initialization, the Gas Ignition Module (IGN) performs self-diagnostic checks to ensure that all internal controls are functional. It also checks the configuration parameters against the components connected to the system. The System LED located on the IGN module is turned on within one second of power-up if internal operation is okay.

Unit Start-Up

Verifying Proper Air Flow

⚠ WARNING

Live Electrical Components!

During installation, testing, servicing and troubleshooting of this product, it may be necessary to work with live electrical components. Have a qualified licensed electrician or other individual who has been properly trained in handling live electrical components perform these tasks. Failure to follow all electrical safety precautions when exposed to live electrical components could result in death or serious injury.

Units with Belt Drive Indoor Fan

Much of the systems performance and reliability is closely associated with, and dependent upon, having the proper airflow supplied both to the space that is being conditioned and across the evaporator coil.

The indoor fan speed is changed by opening or closing the adjustable motor sheave.

Before starting the SERVICE TEST, set the minimum position setpoint for the economizer to 0 percent using the setpoint potentiometer located on the Economizer Control (ECA), if applicable.

ReliaTel™ Control: Using the Service Test Guide in [Table 9, p. 31](#), momentarily jump across the Test 1 and Test 2 terminals on LTB1 one time to start the Minimum Ventilation Test.

With the fan operating properly, determine the total system airflow (CFM) by:

1. Measuring the actual RPM,
 2. Measure the amperage at the supply fan contactor and compare it with the full load amp (FLA) rating stamped on the motor nameplate.
 - a. Calculate the theoretical BHP using (Actual Motor Amps/ Motor Nameplate Amps) X Motor HP.
 - b. Using the fan performance tables in the unit Service Facts, plot the actual RPM (step 1) and the BHP (step 2a) to obtain the operating CFM.
 3. If the required CFM is too low, (external static pressure is high causing motor HP output to be below table value),
 - a. Relieve supply and/or return duct static.
 - b. Change indoor fan speed and repeat steps 1 and 2.
- To increase fan rpm: Loosen the pulley adjustment set screw and turn sheave clockwise.
 - To decrease fan rpm: Loosen the pulley adjustment set screw and turn sheave counterclockwise.
 - If the required CFM is too high, (external static pressure is low, causing motor HP output to be above

table value), change indoor fan speed and repeat steps 1 and 2.

- To stop the SERVICE TEST, turn the main power disconnect switch to the OFF position or proceed to the next component start-up procedure.

Economizer Start-Up

ReliaTel Control: Using the Service Test Guide in [Table 9, p. 31](#), momentarily jump across the Test 1 and Test 2 terminals on LTB1 one time to start the Minimum Ventilation Test.

1. Set the minimum position setpoint for the economizer to the required percentage of minimum ventilation using the setpoint potentiometer located on the Economizer Control (ECA).

The economizer will drive to its minimum position setpoint, exhaust fans (if applicable) may start at random, and the supply fan will start when the SERVICE TEST is initiated.

⚠ WARNING

Rotating Components!

During installation, testing, servicing and troubleshooting of this product it may be necessary to measure the speed of rotating components. Have a qualified or licensed service individual who has been properly trained in handling exposed rotating components, perform these tasks. Failure to follow all safety precautions when exposed to rotating components could result in death or serious injury.

The exhaust fan will start anytime the economizer damper position is equal to or greater than the exhaust fan setpoint.

2. Verify that the dampers stroked to the minimum position.

ReliaTel Control:

Momentarily jump across the Test 1 and Test 2 terminals on LTB1 one additional time if continuing from previous component start-up or until the desired start-up component Test is started.

3. Verify that the dampers stroked to the full open position.
4. To stop the SERVICE TEST, turn the main power disconnect switch to the OFF position or proceed to the next component start-up procedure. Remove electro mechanical test mode connections (if applicable).

Compressor Start-Up

1. Attach a set of service gauges onto the suction and discharge gauge ports for each circuit. Refer to the refrigerant circuit illustration in the Service Facts.

ReliaTel™ Control:

Momentarily jump across the Test 1 and Test 2 terminals on LTB1 one additional time if continuing from previous component start-up or until the desired start-up component Test is started.

Scroll Compressors

- a. Once each compressor has started, verify that the rotation is correct. If a scroll compressor is rotating backwards, it will not pump and a loud rattling sound can be observed.
 - b. If the electrical phasing is correct, before condemning a compressor, interchange any two leads (at the compressor terminal block) to check the internal phasing. If the compressor runs backward for an extended period (15 to 30 minutes), the motor winding can overheat and cause the motor winding thermostat to open.
2. After the compressor and condenser fan have started and operated for approximately 30 minutes, observe the operating pressures. Compare the operating pressures to the operating pressure curve in the Service Facts.
 3. Check system superheat. Follow the instruction listed on the superheat charging curve in the Service Facts. Superheat should be within $\pm 5^{\circ}\text{F}$ of the superheat chart value.
 4. Repeat steps 1 through 4 for each refrigerant circuit.
 5. To stop the SERVICE TEST, turn the main power disconnect switch to the OFF position or proceed to the next component start-up procedure. Remove electro mechanical test mode connections (if applicable).

Gas Heat Units

Open the main disconnect switch to shut the unit off and to reset the RTRM.

ReliaTel Control: Follow the Test Guide in [Table 9, p. 31](#) to start the unit in the heating mode. Momentarily jump across the Test 1 and Test 2 terminals on LTB1 one additional time if continuing from previous component start-up or until the desired start-up component Test is started.

When starting the unit for the first time or servicing the heaters, it is a good practice to start the heater with the main gas supply turned off.

Once the ignition system and components have been checked, open the main power disconnect switch to reset the unit.

Final System Setup

After completing all of the pre-start and start-up procedures outlined in the previous sections (i.e., operating the unit in each of its Modes through all available stages of cooling and heating), perform these final checks before leaving the unit:

- Program the Night Setback (NSB) panel (if applicable) for proper unoccupied operation. Refer to the programming instructions for the specific panel.
- Verify that the Remote panel “System” selection switch, “Fan” selection switch, and “Zone Temperature” settings for automatic operation are correct.
- Inspect the unit for misplaced tools, hardware, and debris.
- Verify that all exterior panels including the control panel doors and condenser grilles are secured in place.
- Close the main disconnect switch or circuit protector switch that provides the supply power to the unit’s terminal block or the unit-mounted disconnect switch.

WARNING

Live Electrical Components!

During installation, testing, servicing and troubleshooting of this product, it may be necessary to work with live electrical components. Have a qualified licensed electrician or other individual who has been properly trained in handling live electrical components perform these tasks. Failure to follow all electrical safety precautions when exposed to live electrical components could result in death or serious injury.

Make sure all personnel are standing clear of the unit before proceeding. The system components will start when the power is applied.

Maintenance

Fan Belt Adjustment—Belt Drive Units

⚠ WARNING

Rotating Components!

During installation, testing, servicing and troubleshooting of this product it may be necessary to measure the speed of rotating components. Have a qualified or licensed service individual who has been properly trained in handling exposed rotating components, perform these tasks. Failure to follow all safety precautions when exposed to rotating components could result in death or serious injury.

The fan belts must be inspected periodically to assure proper unit operation.

Replacement is necessary if the belts appear frayed or worn. Units with dual belts require a matched set of belts to ensure equal belt length.

When removing or installing the new belts, do not stretch them over the sheaves. Loosen the belts using the belt tension adjustment bolts on the motor mounting base.

Once the new belts are installed, using a Browning or Gates tension gauge (or equivalent) illustrated in [Figure 31](#); adjust the belt tension as follows:

1. To determine the appropriate belt deflection:
 - a. Measure the center-to-center shaft distance (in inches) between the fan and motor sheaves.
 - b. Divide the distance measured in Step 1a by 64; the resulting value represents the amount of belt deflection that corresponds to the proper belt tension.
2. Set the large O-ring on the belt tension gauge at the deflection value determined in Step 1b.
3. Set the small O-ring at zero on the force scale of the gauge plunger.
4. Place the large end of the gauge at the center of the belt span; then depress the gauge plunger until the large O-ring is even with the top of the next belt or even with a straightedge placed across the fan and motor sheaves. Refer to Figure 9.
5. Remove the belt tension gauge. The small O-ring now indicates a number other than zero on the plunger's force scale. This number represents the force (in pounds) required to give the needed deflection.
6. Compare the "force" scale reading (Step 5) with the appropriate "force" value listed in [Table 10](#). If the "force" reading is outside the range, readjust the belt tension.

Note: Actual belt deflection "force" must not exceed the maximum "force" value shown in [Table 10](#).

7. Recheck the belt tension at least twice during the first 2 to 3 days of operation. Belt tension may decrease until the new belts are "run in".

Figure 31. Belt tension gauge

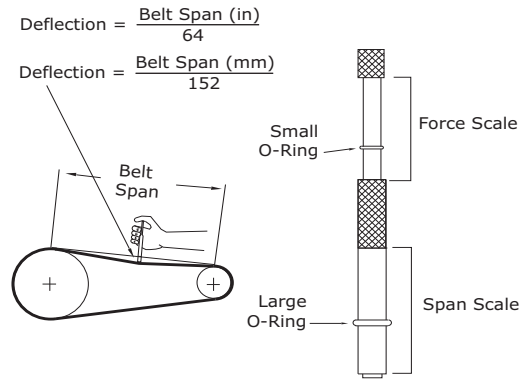


Table 10. Belt tension measurement and deflection

Belts Cross-Section	Small P.D. Range	Deflection Force (Lbs)					
		Super Gripbelts		Gripnotch		Steel Cable Gripbelts	
		Min.	Max.	Min.	Max.	Min.	Max.
	3.0–3.6	3	4 1/2	3 7/8	5 1/2	3 1/4	4
A	3.8–4.8	3 1/2	5	4 1/2	6 1/4	3 3/4	4 3/4
	5.0–7.0	4	5 1/2	5	6 7/8	4 1/4	5 1/4
	3.4–4.2	4	5 1/2	5 3/4	8	4 1/2	5 1/2
B	4.4–5.6	5 1/8	7 1/8	6 1/2	9 1/8	5 3/4	7 1/4
	5.8–8.8	6 3/8	8 3/4	7 3/8	10 1/8	7	8 3/4

Monthly Maintenance

⚠ WARNING

Rotating Components!

During installation, testing, servicing and troubleshooting of this product it may be necessary to measure the speed of rotating components. Have a qualified or licensed service individual who has been properly trained in handling exposed rotating components, perform these tasks. Failure to follow all safety precautions when exposed to rotating components could result in death or serious injury.

Before completing the following checks, turn the unit OFF and lock the main power disconnect switch open.

Filters

Inspect the return air filters. Clean or replace them if necessary. Refer to the unit Service Facts for filter information.

Condensate Overflow Switch

During maintenance, the switch float (black ring) must be checked to ensure free movement up and down.

Cooling Season

- Check the unit's drain pans and condensate piping to ensure that there are no blockages.
- Inspect the evaporator and condenser coils for dirt, bent fins, etc. If the coils appear dirty, clean them according to the instructions described in "Coil Cleaning" later in this section.
- Manually rotate the condenser fan(s) to ensure free movement and check motor bearings for wear. Verify that all of the fan mounting hardware is tight.
- Inspect the F/A-R/A damper hinges and pins to ensure that all moving parts are securely mounted. Keep the blades clean as necessary.
- Verify that all damper linkages move freely; lubricate with white grease, if necessary.
- Check supply fan motor bearings; repair or replace the motor as necessary.
- Check the fan shaft bearings for wear. Replace the bearings as necessary.
- Check the supply fan belt. If the belt is frayed or worn, replace it. Refer to the "Fan Belt Adjustment" section for belt replacement and adjustments.
- Verify that all wire terminal connections are tight.
- Remove any corrosion present on the exterior surfaces of the unit and repaint these areas.
- Generally inspect the unit for unusual conditions (e.g., loose access panels, leaking piping connections, etc.)
- Make sure that all retaining screws are reinstalled in the unit access panels once these checks are complete.
- With the unit running, check and record the ambient temperature, compressor suction and discharge pressures (each circuit), and superheat (each circuit).
- Record this data on an "operator's maintenance log" like the one shown in [Table 11, p. 37](#). If the operating pressures indicate a refrigerant shortage, measure the system superheat. For guidelines, refer to the "Compressor Start-Up" section.

Note: Do not release refrigerant to the atmosphere! If adding or removing refrigerant is required, the service technician must comply with all federal, state and local laws.

Heating Season

- Inspect the unit's air filters. If necessary, clean or replace them.
- Check supply fan motor bearings; repair or replace the motor as necessary.

- Inspect both the main unit control panel and heat section control box for loose electrical components and terminal connections, as well as damaged wire insulation. Make any necessary repairs.
- Clean burner area; verify gas heat system operates properly.

Coil Cleaning

Regular coil maintenance, including annual cleaning, enhances the unit's operating efficiency by minimizing:

- Compressor head pressure and amperage draw
- Evaporator water carryover
- Fan brake horsepower, due to increased static pressure losses
- Airflow reduction

At least once each year, or more often if the unit is located in a "dirty" environment, clean the evaporator and condenser coils using the instructions outlined below. Be sure to follow these instructions as closely as possible to avoid damaging the coils.

Note: For units equipped with hail guards follow removal procedure listed below.

Hail Guard Removal

- Unlatch hail guard.
- Pull the top of the hail guard outward until the fastener studs are free of the retaining nuts.
- Lift the hail guard from the lower retaining bracket and set aside.

To clean refrigerant coils, use a soft brush and a sprayer (either a garden pump-up type or a high-pressure sprayer). A high-quality detergent is also required; suggested brands include SPREX A.C., OAKITE 161, OAKITE 166, and COILO. If the detergent selected is strongly alkaline (ph value exceeds 8.5), add an inhibitor.

WARNING

Hazardous Chemicals!

Coil cleaning agents can be either acidic or highly alkaline. Handle chemical carefully. Proper handling should include goggles or face shield, chemical resistant gloves, boots, apron or suit as required. For personal safety refer to the cleaning agent manufacturer's Materials Safety Data Sheet and follow all recommended safe handling practices. Failure to follow all safety instructions could result in death or serious injury.

1. Remove enough panels from the unit to gain access to the coil.
2. Protect all electrical devices such as motors and controllers from any over spray.
3. Straighten any bent coil fins with a fin comb.

Maintenance

- Mix the detergent with water according to the manufacturer's instructions. If desired, heat the solution BUT DO NOT EXCEED 150°F maximum to improve its cleansing capability.

⚠ WARNING

Hazardous Pressures!

Coils contain refrigerant under pressure. When cleaning coils, maintain coil cleaning solution temperature under 150°F to avoid excessive pressure in the coil. Failure to follow these safety precautions could result in coil bursting, which could result in death or serious injury.

- Pour the cleaning solution into the sprayer. If a high-pressure sprayer is used:
 - Do not allow sprayer pressure to exceed 600 psi.
 - The minimum nozzle spray angle is 15 degrees.
 - Maintain a minimum clearance of 6" between the sprayer nozzle and the coil.
 - Spray the solution perpendicular (at 90 degrees) to the coil face.
- Spray the leaving-airflow side of the coil first; then spray the opposite side of the coil. Allow the cleaning solution to stand on the coil for 5 minutes.
- Rinse both sides of the coil with cool, clean water.
- Inspect both sides of the coil; if it still appears to be dirty, repeat Steps 6 and 7.
- Reinstall all of the components and panels removed in Step 1 and any protective covers installed in Step 2.

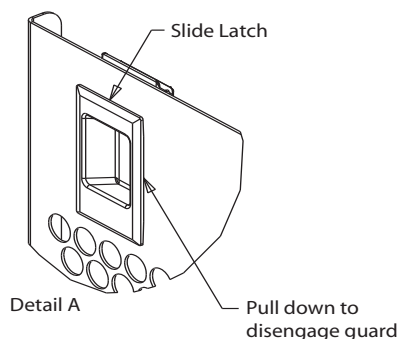
Note: For units equipped with hail guards follow reinstallation procedure listed below.

Hail Guard Reinstallation

- To reinstall the hail guard, locate the bottom of the hail guard in the lower bracket and secure it to the upper unit bracket with the attached fasteners.

Note: Secure hail guard latches.

Figure 32. Slide latch



- Restore the unit to its operational status and check system operation.

Annual Maintenance

- Clean and repaint any corroded surface.

Final Process

For future reference, you may find it helpful to record the unit data requested in the blanks provided.

Complete Model Number

Unit Serial Number

Schematics

Connections

Wiring Diagram Numbers (from unit control panel)

Table 11. Sample maintenance log

Date	Refrigerant Circuit #1							Refrigerant Circuit #2					
	Current Ambient Temp. F/C	Compr. Oil Level	Suct. Press. Psig/kPa	Disch. Press. Psig/kPa	Liquid Press. Psig/kPa	Super-heat F/C	Sub-cool. F/C	Compr. Oil Level	Suct. Press. Psig/kPa	Disch. Press. Psig/kPa	Liquid Press. Psig/kPa	Super-heat F/C	Sub-cool. F/C
		- ok - low						- ok - low					
		- ok - low						- ok - low					
		- ok - low						- ok - low					
		- ok - low						- ok - low					
		- ok - low						- ok - low					
		- ok - low						- ok - low					
		- ok - low						- ok - low					
		- ok - low						- ok - low					
		- ok - low						- ok - low					
		- ok - low						- ok - low					
		- ok - low						- ok - low					

Note: Check and record the data requested above each month during the cooling season with the unit running.

Troubleshooting

ReliaTel™ Control

The RTRM has the ability to provide the service personnel with some unit diagnostics and system status information.

Before turning off the main power disconnect switch, use the following steps to check the ReliaTel Refrigeration Module (RTRM). All diagnostics and system status information stored in the RTRM will be lost when the main power is turned off.

⚠ WARNING

Live Electrical Components!

During installation, testing, servicing and troubleshooting of this product, it may be necessary to work with live electrical components. Have a qualified licensed electrician or other individual who has been properly trained in handling live electrical components perform these tasks. Failure to follow all electrical safety precautions when exposed to live electrical components could result in death or serious injury.

To prevent injury or death from electrocution, it is the responsibility of the technician to recognize this hazard and use extreme care when performing service procedures with the electrical power energized.

1. Verify that the Liteport LED on the RTRM is burning continuously. If the LED is lit, go to Step 3.
2. If the LED is not lit, verify that 24 VAC is present between J1-1 and J1-2. If 24 VAC is present, proceed to Step 3. If 24 VAC is not present, check the unit main power supply and check the transformer (TNS1). Proceed to Step 3 if necessary.
3. Using "Method 1" or "Method 2" in the "System Status Diagnostic" section, check the following:
 - System status
 - Heating status
 - Cooling status

If a System failure is indicated, proceed to Step 4. If no failures are indicated, proceed to Step 5.
4. If a System failure is indicated, recheck Steps 1 and 2. If the LED is not lit in Step 1, and 24 VAC is present in Step 2, the RTRM has failed. Replace the RTRM.
5. If no failures are indicated, use one of the TEST mode procedures described in the "Unit Start-Up" section to start the unit. This procedure allows you to check all of the RTRM outputs and all of the external controls (relays, contactors, etc.) that the RTRM outputs energize, for each respective mode. Proceed to Step 6.
6. Step the system through all of the available modes, and verify operation of all outputs, controls, and modes. If a problem in operation is noted in any mode, you may leave the system in that mode for up to one hour while troubleshooting. Refer to the sequence of

operations for each mode, to assist in verifying proper operation. Make the necessary repairs and proceed to Steps 7 and 8.

7. If no abnormal operating conditions appear in the test mode, exit the test mode by turning the power to OFF at the main power disconnect switch.
8. Refer to the individual component test procedures if other microelectronic components are suspect.

System Status Checkout Procedure

Check system status by using one of the following two methods:

Method 1

If the Zone Sensor Module (ZSM) is equipped with a remote panel with LED status indication, you can check the unit within the space. If the ZSM does not have LEDs, use Method 2. BAYSENS110*, BAYSENS109*, BAYSENS119*, BAYSENS023A all have the remote panel indication feature. The LED descriptions are listed below.

LED 1 (System)

On	During normal operation
Off	If a system failure occurs or LED fails
Flashing	Indicates test mode

LED 2 (Heat)

On	When the heat cycle is operating
Off	When the heat cycle terminates or LED fails
Flashing	Indicates a heating failure

LED 3 (Cool)

On	When the cooling cycle is operating
Off	When the cooling cycle terminates or LED fails
Flashing	Indicates a cooling failure

LED 4 (Service)

On	Indicates a clogged filter
Off	During normal operation
Flashing	Indicates an evaporator fan failure or condensate overflow switch failure

The following sections contain a complete listing of failure indication causes.

System failure

Check the voltage between terminals 6 and 9 on J6; it should read approximately 32 VDC. If no voltage is present, a system failure has occurred. Refer to Step 4 in

the previous section for the recommended troubleshooting procedure.

Heating Failure

Verify heat failure by ignition module (IGN) LED indicator:

Off	No power or power failure	
On	Normal	
Slow flash	Normal, heat call	
Fast flash	1 flash	Communication failure
	2 flashes	System lockout
	3 flashes	Pressure switch fail
	4 flashes	TC01 or TC02 open
	5 flashes	Flame without gas valve
	6 flashes	Flame rollout open

Cooling Failure

- Cooling and heating set point (slide pot) on the zone sensor has failed. Refer to the “Zone Sensor Test Procedure” section.
- Zone temperature thermistor ZTEMP on ZTS failed. Refer to the “Zone Sensor Test Procedure” section.
- CC1 or CC2 24 VAC control circuit has opened—check CC1 and CC2 coils and any of the controls below that apply to the unit (HPC1, HPC2).
- LPC1 has opened during the 3-minute minimum “on time” during 4 consecutive compressor starts—check LPC1 or LPC2 by testing voltage between the J1-1 and J3-2 terminals on the RTRM and ground. If 24 VAC is present, the LPCs has not tripped. If no voltage is present, LPCs has tripped.

Service Failure

- If the supply fan proving switch has closed, the unit will not operate (when connected to RTOM)—check the fan motor, belts, and proving switch.
- Clogged filter switch has closed—check the filters.
- If the condensate overflow switch is closed, the unit will not operate—check the float position is not in a tripped condition and verify an “open” between wires connecting to RTOM J6-1, J6-2 (ReliaTel™ controls).

Simultaneous Heat and Cool Failure

- Emergency stop is activated

Method 2

The second method for determining system status is done by checking voltage readings at the RTRM (J6). The following sections list system indication descriptions and the approximate voltages.

System Failure

- Measure the voltage between terminals J6-9 and J6-6.
- Normal operation = approximately 32 VDC

- System failure = less than 1 VDC, approximately 0.75 VDC
- Test mode = voltage alternates between 32 VDC and 0.75 VDC

Heat Failure

- Measure the voltage between terminals J6-7 and J6-6.
- Heat operating = approximately 32 VDC
- Heat off = less than 1 VDC, approximately 0.75 VDC
- Heating failure = voltage alternates between 32 VDC and 0.75 VDC

Cool Failure

- Measure the voltage between terminals J6-8 and J6-6.
- Cool Operating = approximately 32 VDC
- Cool Off = less than 1 VDC, approximately 0.75 VDC
- Cooling Failure = voltage alternates between 32 VDC and 0.75 VDC

Service Failure

- Measure the voltage between terminals J6-10 and J6-6.
- Clogged filter = approximately 32 VDC.
- Normal = less than 1 VDC, approximately 0.75 VDC
- Fan Failure = voltage alternates between 32 VDC and 0.75 VDC.

To use LEDs for quick status information at the unit, purchase a BAYSENS110* ZSM and connect wires with alligator clamps to terminals 6 through 10. Connect each respective terminal wire (6 through 10) from the Zone Sensor to the unit J6 terminals 6 through 10.

Note: *If the system is equipped with a programmable zone sensor, (BAYSENS119*, or BAYSENS023A), the LED indicators will not function while the BAYSENS110* is connected.*

Resetting Cooling and Ignition Lockouts

Cooling failures and heating lockouts are reset in an identical manner. Method 1 explains resetting the system from the space; Method 2 explains resetting the system at the unit.

Note: *Before resetting Cooling Failures and Ignition Lockouts check the Failure Status Diagnostics by the methods previously explained. Diagnostics will be lost when the power to the unit is disconnected.*

Resetting Lockouts—Method 1

To reset the system from the space, turn the “Mode” selection switch at the zone sensor to the OFF position. After approximately 30 seconds, turn the “Mode” selection switch to the desired mode, e.g., Heat, Cool, or Auto.

Troubleshooting

Resetting Lockouts—Method 2

To reset the system at the unit, cycle the unit power by turning the disconnect switch to OFF and then to ON. Lockouts can be cleared through the building management system. Refer to the building management system instructions for more information.

Zone Temperature Sensor (ZTS) Service Indicator

The ZSM SERVICE LED is a generic indicator that will signal the closing of a Normally Open switch at any time, providing the Indoor Motor (IDM) is operating. This indicator is usually used to indicate a clogged filter or an air side fan failure.

The RTRM will ignore the closing of this Normally Open switch for 2 (±1) minutes. This helps prevent nuisance SERVICE LED indications. The exception is the LED will flash 40 seconds after the fan is turned to ON if the Fan Proving Switch is not made.

Clogged Filter Switch

This LED will remain lit the entire time that the Normally Open switch is closed. The LED will be turned off immediately after resetting the switch (to the Normally Open position), or any time that the IDM is turned to OFF.

If the switch remains closed, and the IDM is turned to ON, the SERVICE LED will be turned to ON again after the 2 (±1) minute ignore delay.

This LED being turned to ON will have no other affect on unit operation. It is an indicator only.

Fan Failure Switch

When the “Fan Failure” switch is wired to the RTOM, the LED will remain flashing the entire time the fan proving switch is closed, indicating a fan failure, and it will shut down the unit operations.

Condensate Overflow Switch

When the “Condensate Overflow Switch” is closed, a drain pan overflow condition is indicated, and it will shut unit operations down.

Zone Temperature Sensor (ZTS) Test

Note: *These procedures are not for programmable or digital models and are conducted with the Zone Sensor Module electrically removed from the system.*

Test 1—Zone Temperature Thermistor (ZTEMP)

This component is tested by measuring the resistance between terminals 1 and 2 on the Zone Temperature Sensor. Below are some typical indoor temperatures, and corresponding resistive values.

Test 2—Cooling Set Point (CSP) and Heating Set Point (HSP)

Table 12. Cooling setpoint and heating setpoint

Zone	Temperature	Nominal ZTEMP Resistance
50°F	10.0 C°	19.9 K-Ohms
55°F	12.8 C°	17.47 K-Ohms
60°F	15.6 C°	15.3 K-Ohms
65°F	18.3 C°	13.49 K-Ohms
70°F	21.1 C°	11.9 K-Ohms
75°F	23.9 C°	10.50 K-Ohms
80°F	26.7 C°	9.3 K-Ohms
85°F	29.4 C°	8.25 K-Ohms
90°F	32.2 C°	7.3 K-Ohms

The resistance of these potentiometers are measured between the following ZSM terminals. Refer to the chart above for approximate resistances at the given setpoints.

Cool SP = Terminals 2 and 3

Range = 100 to 900 Ohms approximate

Heat SP = Terminals 2 and 5

Range = 100 to 900 Ohms approximate

Test 3—System Mode and Fan Selection

The combined resistance of the Mode selection switch and the Fan selection switch can be measured between terminals 2 and 4 on the Zone Sensor. The possible switch combinations are listed below with their corresponding resistance values.

Test 4—LED Indicator Test, (SYS ON, HEAT, COOL, and SERVICE)

Method 1

Testing the LED using a meter with diode test function. Test both forward and reverse bias. Forward bias should measure a voltage drop of 1.5 to 2.5 volts, depending on your meter. Reverse bias will show an Over Load, or open circuit indication if LED is functional.

Method 2

Testing the LED with an analog Ohmmeter. Connect Ohmmeter across LED in one direction; then reverse the leads for the opposite direction. The LED should have at least 100 times more resistance in reverse direction, as compared with the forward direction. If high resistance in both directions, LED is open. If low in both directions, LED is shorted.

Method 3

To test LEDs with ZSM connected to unit, test voltages at LED terminals on ZSM. A measurement of 32 VDC, across an unlit LED, means the LED has failed.

Programmable and Digital Zone Sensor Test

Testing serial communication voltage

1. Verify 24 VAC is present between terminals J6-14 and J6-11.
2. Disconnect wires from J6-11 and J6-12. Measure the voltage between J6-11 and J6-12; it should be about 32 VDC.
3. Reconnect wires to terminals J6-11 and J6-12. Measure voltage again between J6-11 and J6-12; voltage should flash high and low every 0.5 seconds. The voltage on the low end will measure about 19 VDC, while the voltage on the high end will measure from approximately 24 to 38 VDC.
4. Verify all modes of operation, by running the unit through all of the steps in the "Test Modes" section discussed in "Unit Start-Up".
5. After verifying proper unit operation, exit the test mode. Turn on the fan continuously at the ZSM, by pressing the button with the fan symbol. If the fan comes on and runs continuously, the ZSM is good. If you are not able to turn on the fan, the ZSM is defective.

ReliaTel™ Refrigeration Module (RTRM) Default Chart

If the RTCI loses input from the building management system, the RTRM will control in the default mode after approximately 15 minutes. If the RTRM loses the Heating and Cooling setpoint input, the RTRM will control in the default mode instantaneously. The temperature sensing thermistor in the Zone Sensor Module is the only component required for the "Default Mode" to operate.

Unit Operation without a Zone Sensor

This procedure is for temporary operation only. The economizer and condenser fan cycling functions are disabled.

⚠ WARNING
Hazardous Voltage!
Disconnect all electric power, including remote disconnects before servicing. Follow proper lockout/tagout procedures to ensure the power can not be inadvertently energized. Failure to disconnect power before servicing could result in death or serious injury.

1. Open and lock the unit disconnect switch.
2. Remove the Outside Air Sensor (OAS) from the condenser section of unit.

3. Use 2 wire nuts to individually cap the wires.
4. Locate the RTRM (J6). Connect 2 wires to terminals J6-1 and 2.
5. Connect the sensor (OAS) using two wire nuts to the 2 field-supplied wires that were connected to terminals 1 and 2 on J6.

Unit Economizer Control (ECA) Troubleshooting

ReliaTel Control

Verify economizer status by economizer actuator (ECA) LED indicator:

Off	No power or power failure	
On	Normal, OK to economize	
Slow flash	Normal, not OK to economize	
Fast flash ½ sec on/2 sec off	Communications failure	
Pulse flash 2 sec on/½ sec off	1 flash	Actuator fault
	2 flashes	CO ₂ sensor
	3 flashes	RA humidity sensor
	4 flashes	RA temp sensor
	5 flashes	OA quality sensor
	6 flashes	OA humidity sensor
	7 flashes	OA temp sensor
	8 flashes	MA temp sensor
	9 flashes	RAM fault
	10 flashes	ROM fault
11 flashes	EEPROM fault	

Heating Failure

Verify heat failure by ignition module (IGN) LED indicator:

Off	No power or power failure	
On	Normal	
Slow flash	Normal, heat call	
Fast flash	1 flash	No communication
	2 flashes	System lockout
	3 flashes	Pressure switch fail
	4 flashes	TC01 or TC02 open
	5 flashes	Flame w/o gas valve
	6 flashes	Flame rollout open

Cooling Failure

- Cooling and heating set point (slide pot) on the thermostat has failed.
- CC1 or CC2 24 VAC control circuit has opened, check CC1 and CC2 coils, and any of the controls below that apply to the unit (HPC1, HPC2, LPC1, LPC2, Froststat™).

Resetting Cooling and Ignition Lockouts

Cooling failures and ignition lockouts are reset in an identical manner. Method 1 explains resetting the system from the space; Method 2 explains resetting the system at the unit.

Resetting Lockouts—Method 1

To reset the system from the space, turn the “Mode” selection switch at the thermostat to the OFF position. After approximately 30 seconds, turn the “Mode” selection switch to the desired mode, e.g., Heat, Cool, or Auto.

Resetting Lockouts—Method 2

To reset the system at the unit, cycle the unit power by turning the disconnect switch to OFF and then to ON.

Unit Wiring Diagrams Numbers

Note: Wiring diagrams can be accessed using e-Library by entering the diagram number in the literature

order number search field or by contacting technical support.

Table 13. Unit wiring diagram numbers

Schematic Type			Description
Control	Power	Connection Diagram	
4366-1012-0110	4366-1005-0104	4366-1543-0110	060EDR
4366-1015-0104	4366-1005-0104	4366-1540-0110	072EDR
4366-1015-0104	4366-1005-0104	4366-1540-0110	090EDR
4366-1042-0110	4366-1034-0110	4366-1532-0110	102EDR
4366-1042-0110	4366-1034-0110	4366-1532-0110	120EDR
4366-2231-0110	4366-2230-0110	4366-2236-0110	060EDK
4366-2231-0110	4366-2230-0110	4366-2236-0110	072EDK
4366-2231-0110	4366-2230-0110	4366-2236-0110	090EDK
4366-2231-0110	4366-2230-0110	4366-2236-0110	102EDK
4366-2231-0110	4366-2230-0110	4366-2236-0110	120EDK

Limited Warranty

Combination Gas Electric Air Conditioner

YCC, YCD, YCH, YCP, YSC and YHC (Parts Only)

Models Less Than 20 Tons for Residential Use*

This limited warranty is extended by Trane to the original purchaser and to any succeeding owner of the real property to which the Combination Gas Electric Air Conditioner is originally affixed, and applies to products purchased and retained for use within the U.S.A. and Canada.

If any part of your Combination Gas Electric Air Conditioner fails because of a manufacturing defect within five years from the date of the original purchase, Warrantor will furnish without charge the required replacement part. Any local transportation, related service labor, diagnosis calls, air filters, refrigerant and related items are not included.

If the sealed motor-compressor fails because of a manufacturing defect within five years from the date of original purchase, Warrantor will furnish without charge the required replacement compressor. Any local transportation, related service labor, diagnosis calls, refrigerant and related items are not included.

In addition, if the optional, factory installed, stainless steel heat exchanger fails because of a manufacturing defect within ten years from the date of start-up, Warrantor will furnish without charge a replacement heat exchanger. Any local transportation, related service labor and diagnosis calls are not included.

This limited warranty does not cover failure of your combination gas electric air conditioner if it is damaged while in your possession, failure attributable or caused by unreasonable use of the combination gas electric air conditioner and/or failure to properly maintain the combination gas electric air conditioner as set forth in the Use and Care manual.

This limited warranty applies to product installed on or after 10/1/2001 where product is manufactured after 1/1/2000. This limited warranty is not retroactive to any installations prior to 10/1/2001 or on product produced prior to 2000.

THE LIMITED WARRANTY AND LIABILITY SET FORTH HEREIN ARE IN LIEU OF ALL OTHER WARRANTIES AND LIABILITIES, WHETHER IN CONTRACT OR IN NEGLIGENCE, EXPRESS OR IMPLIED, IN LAW OR IN FACT, INCLUDING IMPLIED WARRANTIES OF MERCHANTABILITY AND FITNESS FOR PARTICULAR

* This limited warranty is for residential usage of this equipment and not applicable when this equipment is used for a commercial application. A commercial use is any application where the end purchaser uses the product for other than personal, family or household purposes.

USE, AND IN NO EVENT SHALL WARRANTOR BE LIABLE FOR ANY INCIDENTAL OR CONSEQUENTIAL DAMAGES.

Some states do not allow limitations on how long an implied limited warranty lasts or do not allow the exclusion or limitation of incidental or consequential damages, so the above limitation or exclusion may not apply to you. This limited warranty gives you specific legal rights, and you may also have other rights which vary from state to state.

Parts will be provided by our factory organization through an authorized service organization in your area listed in the yellow pages. If you wish further help or information concerning this limited warranty, contact:

Trane
2701 Wilma Rudolph Blvd.
Clarksville, TN 37040-1008
Attention: Manager, Product Service
GW-618-4001

Combination Gas Electric Air Conditioner

YCZ, YCY, YCX, YCC, YCD, YCH, YCP, YHC and YSC (Parts Only)

Models Less Than 20 Tons for Commercial Use*

This warranty is extended by Trane to the original purchaser and to any succeeding owner of the real property to which the Combination Gas Electric Air Conditioner is originally affixed, and applies to products purchased and retained for use within the U.S.A. and Canada. There is no warranty against corrosion, erosion or deterioration.

If any part of your Combination Gas Electric Air Conditioner fails because of a manufacturing defect within one year from the date of the original purchase, Warrantor will furnish without charge the required replacement part.

In addition, if the sealed motor-compressor fails because of a manufacturing defect within the second through fifth year from the date of original purchase, Warrantor will furnish without charge the required replacement compressor.

In addition, if the optional, factory installed, stainless steel heat exchanger fails because of a manufacturing defect within ten years from the date of start-up, Warrantor will furnish without charge a replacement heat exchanger. Any local transportation, related service labor and diagnosis calls are not included.

Trane and American Standard create comfortable, energy efficient indoor environments for commercial and residential applications. For more information, please visit trane.com or americanstandardair.com.

Trane and American Standard have a policy of continuous product and product data improvement and reserve the right to change design and specifications without notice. We are committed to using environmentally conscious print practices.